

PF 200 Flush Exit Device



Door Closed



Door Open



SPECIFICATIONS

Lengths	<ul style="list-style-type: none"> • 24" For width of 2'5" and wider • 14" For width of 1'7" to 2'4-15/16
Height	<ul style="list-style-type: none"> • 4-3/8"
Projection	<ul style="list-style-type: none"> • 5/8" Closed 1/8" Open
Centerline from bottom of door	<ul style="list-style-type: none"> • 39-9/16" Standard Height • 34-9/16" Elementary Height
Finishes	<ul style="list-style-type: none"> • 628 Satin Anodized Aluminum • 710 Dark Bronze Anodized • Black • Insert to match door body • Architectural metal inserts: 629, 630, 707, 667, 710

Push Pad

- ADA compliant
- Fire rated up to 3 hours
- Available with levers, operating grips or exit only
- Only electrical unlatching function available
- Factory installed as an integral part of the Total Door system

TDH 100 Electromagnetic Holder



Semi - Concealed loop runs through hinge and frame

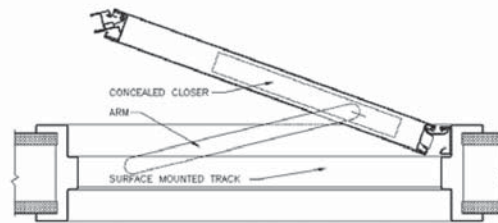
SPECIFICATIONS

Wall Mount Armature Lengths	13/16" to 2-13/16"
Height	1-3/8" Diameter
Projection	1/8" Off door body
Holding Force	40 LBS

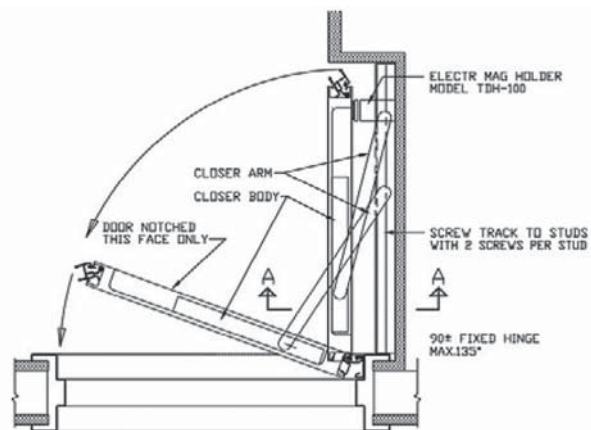
Features

- Factory mortised in the door as an integral part of the Total Door system
- Pre-wired to eliminate the outlet box and coordination with the electrician
- 24 Volt DC 0.3 AMP transformer is included on request

TDC 96/TDC 96P Concealed Closer



TDC 96 Standard Swing Application



TDC 96P Pocketed Application

SPECIFICATIONS

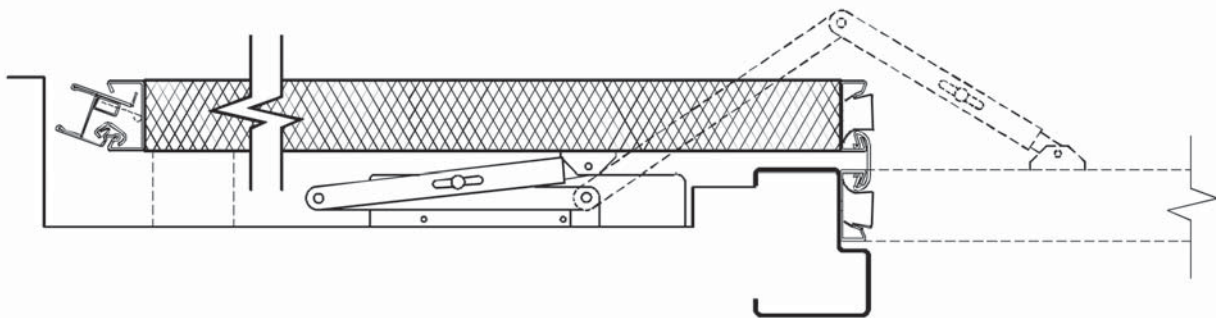
Opening Dimensions	Up to 135°
Adjustability	Latching, Closing & Cush Stop
Mounting location	Mortised in top rail of door
Application Type	Standard TDC 96 Pocket TDC 96P

Concealed Closer

- Fire rated to 3 hours
- Adjustable to sizes 1 through 5
- Retrofit to existing frames without mortising the frame
- Closer arm is invisible when door is closed (TDC96 standard swing application)
- Track and arm are color matched to door's verticals
- Improved ADA compliance – cam action is 60% more efficient than a standard rack & pinion closer

Note: TDC96/TDC96P closer is not recommended on high traffic applications.

TDC 8907 Pocket Door Closer



TDC 8907

- For 180° Pocket Application
- Universal application
- Standard adjustable back-check function
- Full plastic standard cover
- Aluminum finish
- Meets ANSI A156.26 Grade 1