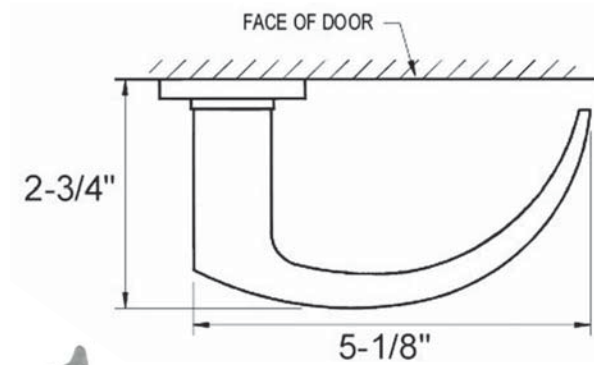


Lever 83



SPECIFICATIONS

Lengths	<ul style="list-style-type: none">• 5-1/8"
Height	<ul style="list-style-type: none">• 11/16"
Projection	<ul style="list-style-type: none">• 2-3/4"
Centerline from bottom of door	<ul style="list-style-type: none">• 39-9/16" Standard Height• 34-9/16" Elementary Height
Finishes	<ul style="list-style-type: none">• 605 Bright Brass• 606 Satin Brass• 629 Bright Stainless Steel• 630 Satin Stainless Steel• 710 Dark Bronze
Dogging Options	<ul style="list-style-type: none">• Electric – E-UNL

Lever Mechanisms

- ADA compliant
- Fire rated to 3 hours
- Operate with any standard B/C4 cam mortise cylinder
- Available in all functions including exit devices and electric functions