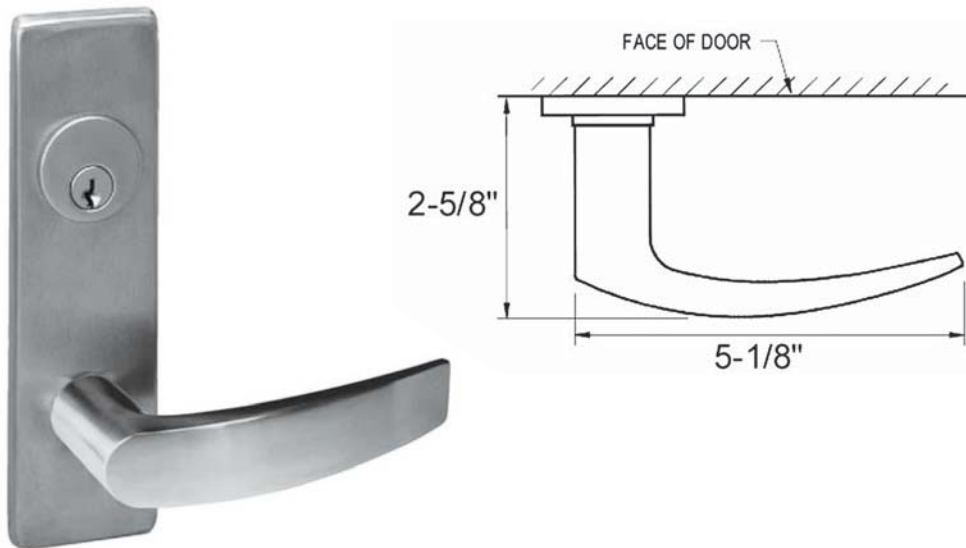


# Lever 84



## SPECIFICATIONS

<b>Lengths</b>	• 5-1/8"
<b>Height</b>	• 11/16"
<b>Projection</b>	• 2-5/8"
<b>Centerline from bottom of door</b>	• 39-9/16" Standard Height • 34-9/16" Elementary Height
<b>Finishes</b>	• 605 Bright Brass • 606 Satin Brass • 629 Bright Stainless Steel • 630 Satin Stainless Steel • 710 Dark Bronze
<b>Dogging Options</b>	• Electric – E-UNL

## Lever Mechanisms

- ADA compliant
- Fire rated to 3 hours
- Operate with any standard B/C4 cam mortise cylinder
- Available in all functions including exit devices and electric functions