

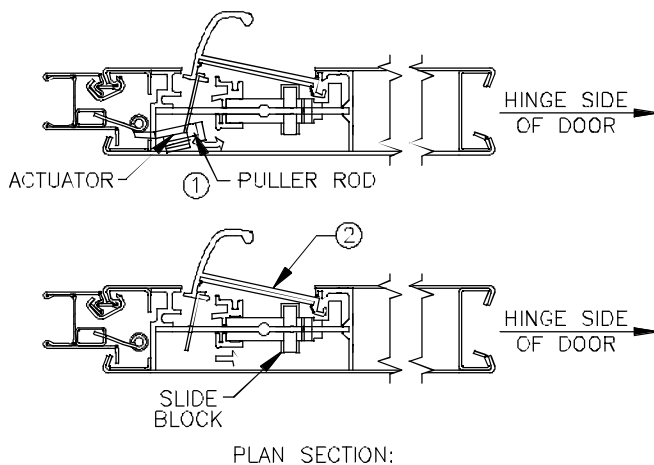
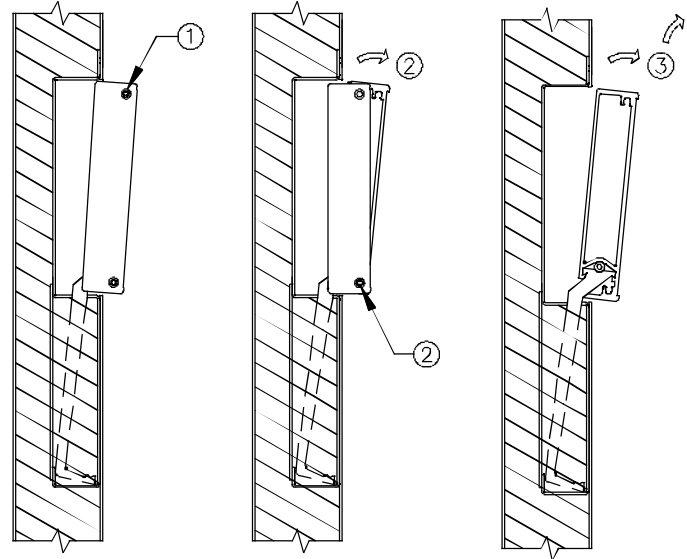
TECHNICAL DATA SHEET # 75

FLUSH PANIC BAR & TRIM REMOVAL

TO REMOVE FLUSH PANIC BAR

With the door in the open position, depress the retainer at the top of the door and rotate the locking channel into the latched position.

- 1) Remove the top screw from the end cap at the latch edge of the door.
- 2) Pull the panic bar out far enough so that the bottom screw clears the face of the door, then remove the second screw.
- 3) Pull the bar out until it clears the door face, lift the bar upward and remove it from the door body.

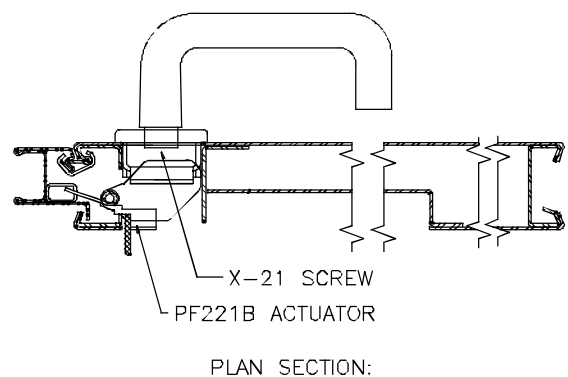


PLAN SECTION:

TO REMOVE GRIP

- 1) Disengage the puller rod from the actuator by sliding it over the cap.
- 2) With one hand, push the slide block towards the hinge side of the door forcing the slide block to the rear of the mechanism. Grasp the grip with your other hand and push the hinge side of the grip inward at the same time forcing the entire grip towards the hinge side of the mechanism cut-out. The grip will come free from the latch side. Pull the grip out of the door.

SECTION:



PLAN SECTION:

TO REMOVE LEVER

Remove the phillips head anchor screw and slide lever out.

The installation procedure is the reverse of the above.