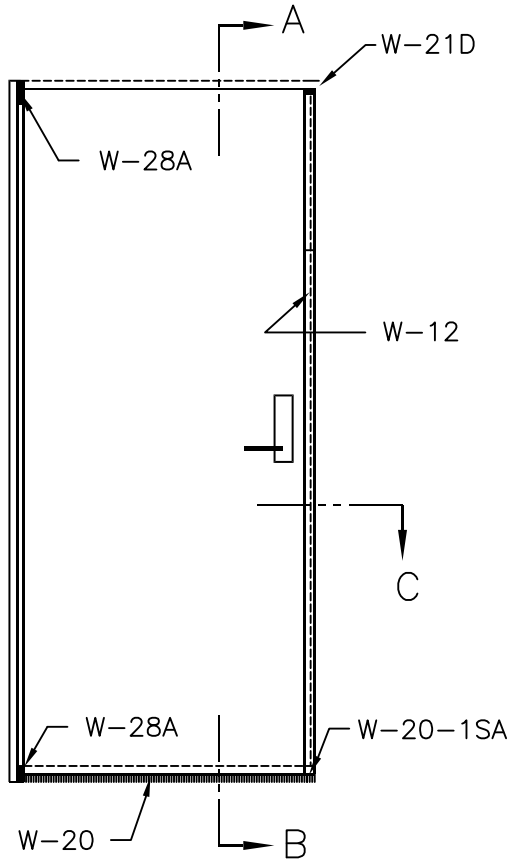


TECHNICAL DATA SHEET # 3

01

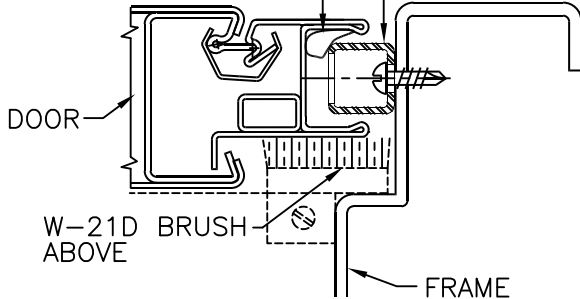
WEATHER SEAL – SINGLE DOOR

NOTE: W-28A=1/2"x1/2"x2" CELLULAR FOAM. FIELD MOUNT ON FACE OF H-15, JAMB HINGE BLOCK, END OF W-28 TO TOUCH FRAME HEAD & SILL, (2 PIECES)

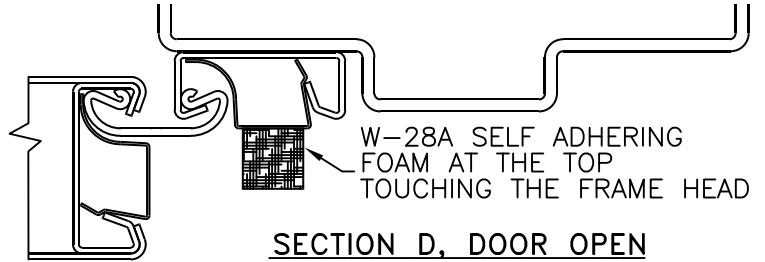


ELEVATION

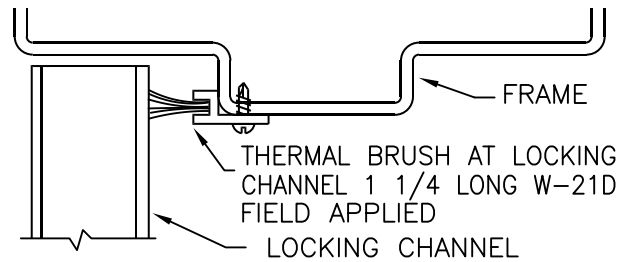
LATCH STOP L-55
W-12 AIR FOIL SEAL
FACTORY APPLIED



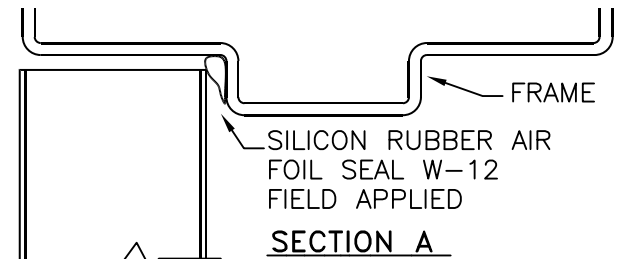
SECTION C



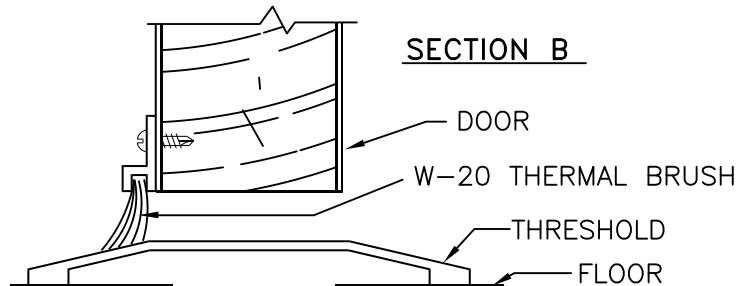
SECTION D, DOOR OPEN



HEAD DETAIL AT LOCKING CHANNEL



SECTION A



SECTION B



Total Door SYSTEMS™
Global Leader in Integrated Access Technology™

TEL. (800) 852-6660
www.totaldoor.com
© Total Door 2019

FILE NAME
TDS3-01
DATE 6/11/19