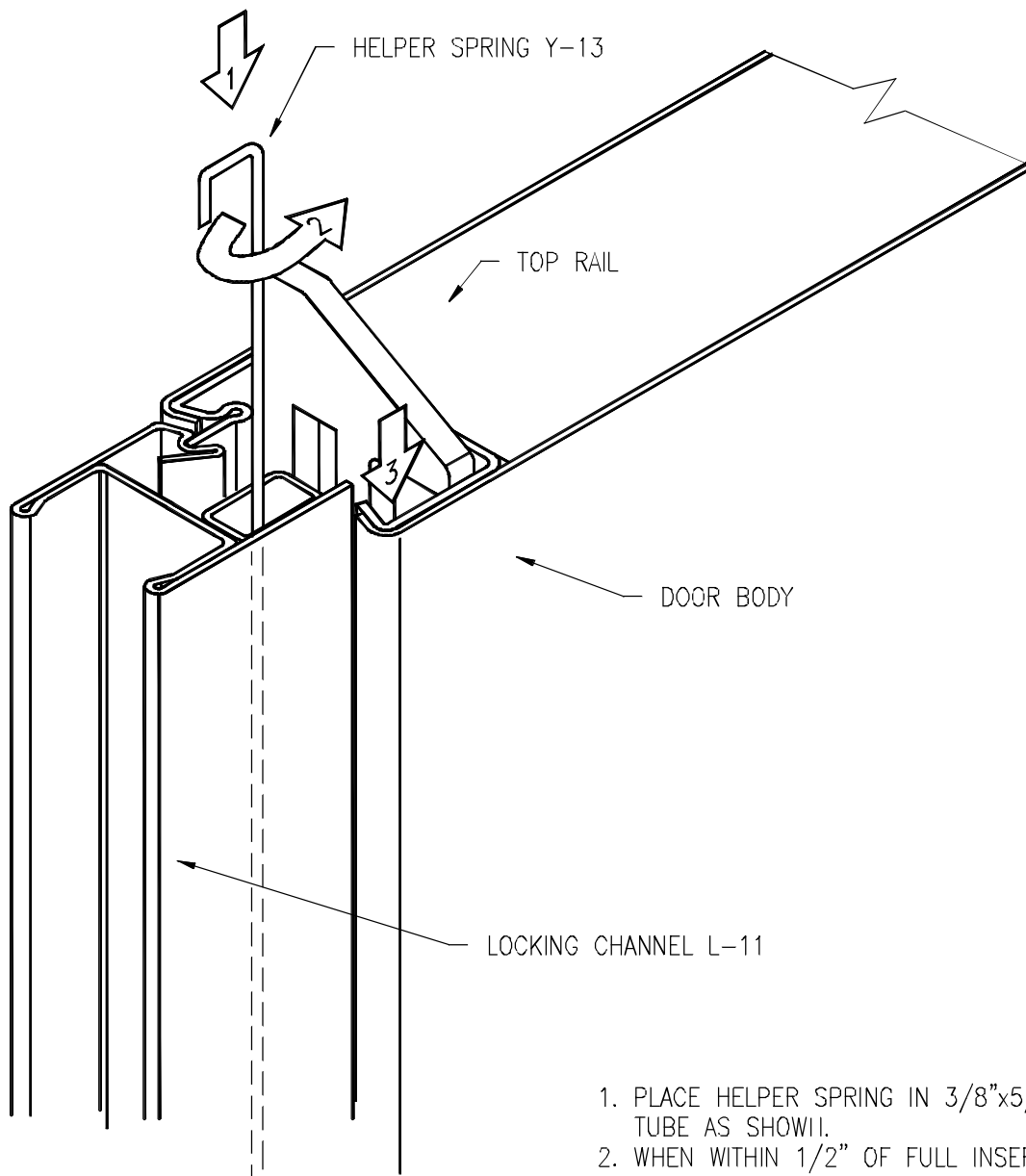


# TECHNICAL DATA SHEET # 17

01

## HELPER SPRING MOUNTING DETAIL



1. PLACE HELPER SPRING IN 3/8"x5/8" STIFFENER TUBE AS SHOWN.
2. WHEN WITHIN 1/2" OF FULL INSERTION, ROTATE APPROX. 180° TOWARD PUSH SIDE OF DOOR.
3. WHILE IN TORQUED POSITION, INSERT BEHIND LIP OF STILE BY PUSHING DOWN.