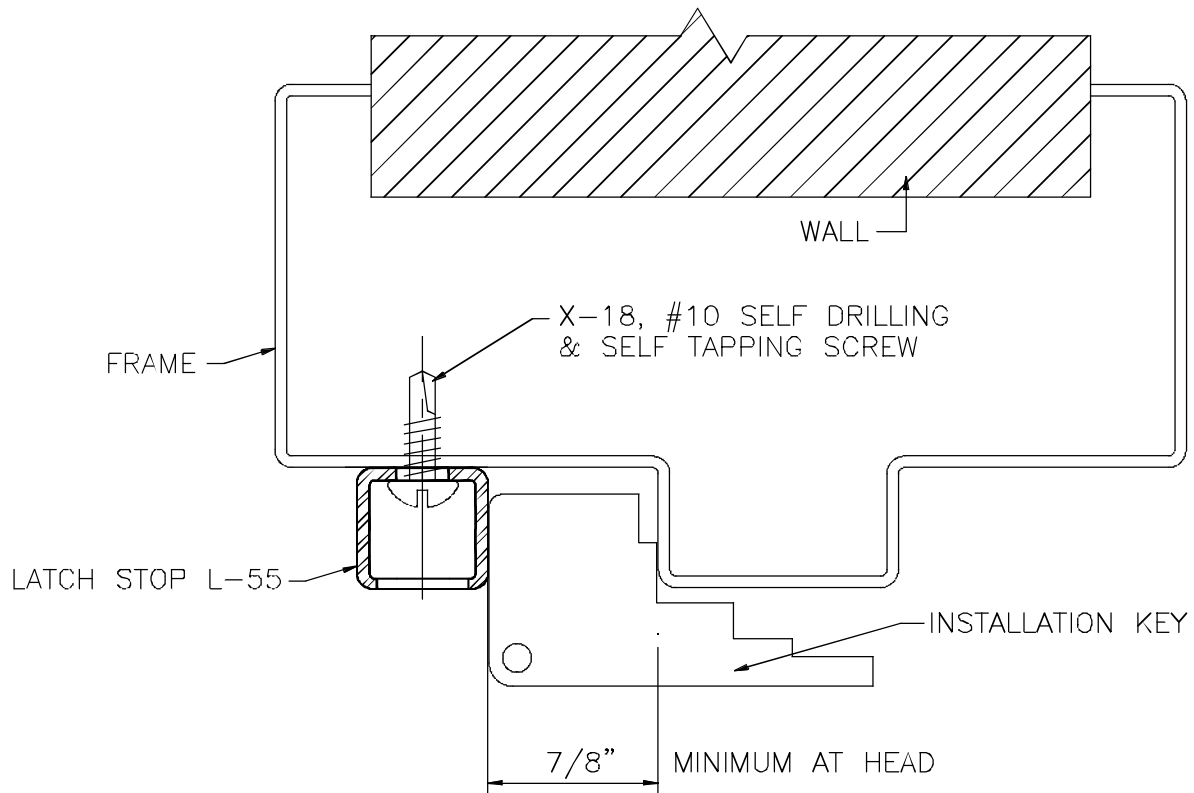


TECHNICAL DATA SHEET # 1D

02

ONE PIECE LATCH STOP L-55

NOTE: FAILURE TO FOLLOW THESE INSTRUCTIONS WILL RESULT IN DOORS NOT LATCHING, NOT LOCKING, OR BEING DIFFICULT TO OPEN OR CLOSE



LATCH STOP L-55, INSTALLATION PROCEDURE

1. Install top screw of latch stop L-55, with the back side 7/8" from the frame rabbet. Use the installation key provided to insure correct tolerances.
2. Depress the retainer on the top of the door and rotate the locking channel L-11 to the locked position. Close the door firmly against the latch stop L-55. Press the L-55 against the locking channel L-11 and scribe a line on the jamb the length of the L-55 on the rabbet side.
3. With the L-55 on the scribed line, install the bottom and middle screws.
4. Test the door for proper operation. If the door operates smoothly and easily, install the balance of the screws and nylon hole plugs.



Total Door SYSTEMS™
Global Leader in Integrated Access Technology™

TEL. (800) 852-6660
www.totaldoor.com
© Total Door 2015

FILE NAME
TDS1D-02
DATE 3/18/15