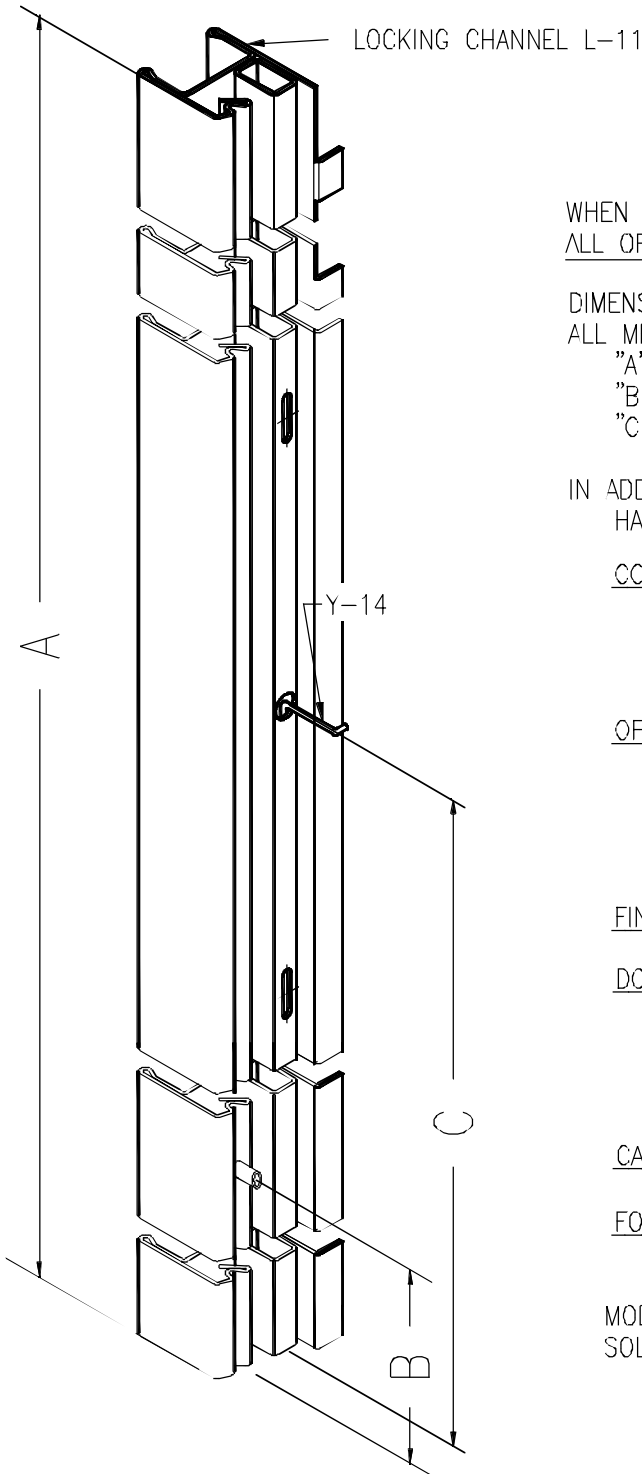


# TECHNICAL DATA SHEET # 21

03

## LOCKING CHANNEL - ORDERING INFORMATION



WHEN ORDERING REPLACEMENT LOCKING CHANNELS  
ALL OF THE FOLLOWING INFORMATION IS REQUIRED

DIMENSIONS SHOWN +/- 1/32"  
ALL MEASURED FROM BOTTOM OF LOCKING CHANNEL  
"A" OVERALL HEIGHT; \_\_\_\_\_  
"B" ROLL PIN HEIGHT; \_\_\_\_\_  
"C" Y-14 HOLE HEIGHT; \_\_\_\_\_

IN ADDITION PROVIDE THE FOLLOWING  
HAND OF DOOR; R, L, RR, LR; \_\_\_\_\_

CONFIGURATION OF DOOR  
SINGLE \_\_\_\_\_  
PAIR \_\_\_\_\_  
DOUBLE EGRESS \_\_\_\_\_

OPERATING HARDWARE  
LEVER X LEVER \_\_\_\_\_  
GRIP X GRIP \_\_\_\_\_  
STANDARD PANIC \_\_\_\_\_  
FLUSH PANIC \_\_\_\_\_

FINISH \_\_\_\_\_

DOUBLE EGRESS FRAME  
TRIPLE STEP? \_\_\_\_\_  
OFFSET BETWEEN HEADSTOPS \_\_\_\_\_  
SEE TECH DATA SHEET #5

CASED FRAME? \_\_\_\_\_

FOOT STRIKE  
IS ONE BEING USED? YES NO

MODIFIED FOR ELECTRIC  
SOLENOID III TOP RAIL? YES NO



**Total Door** SYSTEMS™  
Global Leader in Integrated Access Technology™

6145 Delfield Dr.  
WATERFORD, MI 48329  
TEL (248)623-6899  
FAX (248)623-6866  
www.totaldoor.com

FILE NAME
TDS21-03
DATE 4/2/15