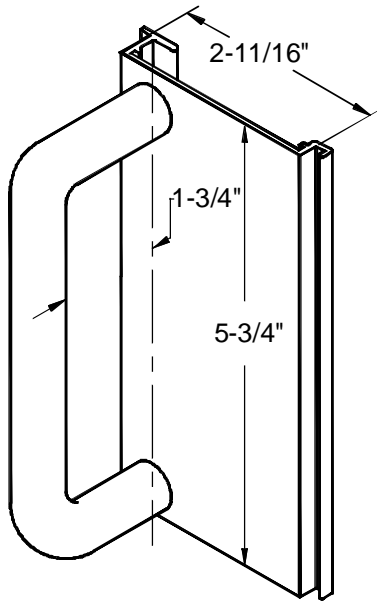


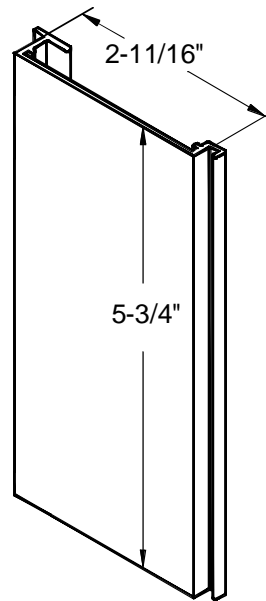
# TECHNICAL DATA SHEET # 35

04

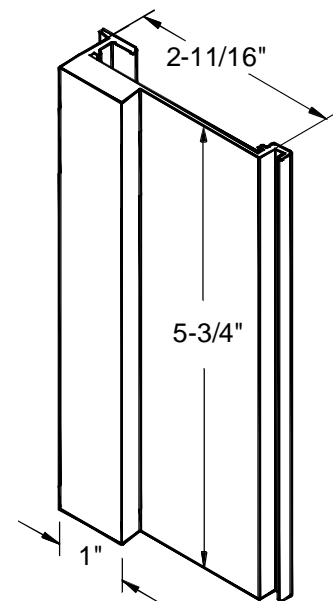
## PUSH-PULL DIMENSIONS AND PROJECTIONS



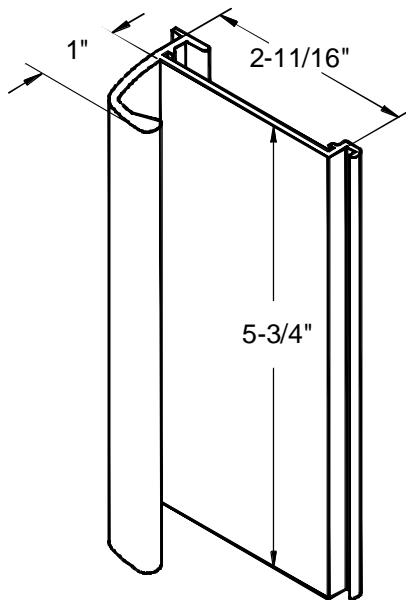
M-35



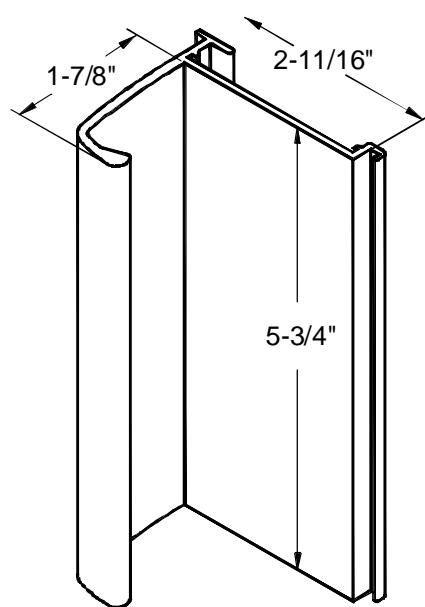
M-34



M-52



M-33



M-32

NOTE: ALL 2-11/16" x 5 3/4" FACES ARE FLUSH WITH DOOR.