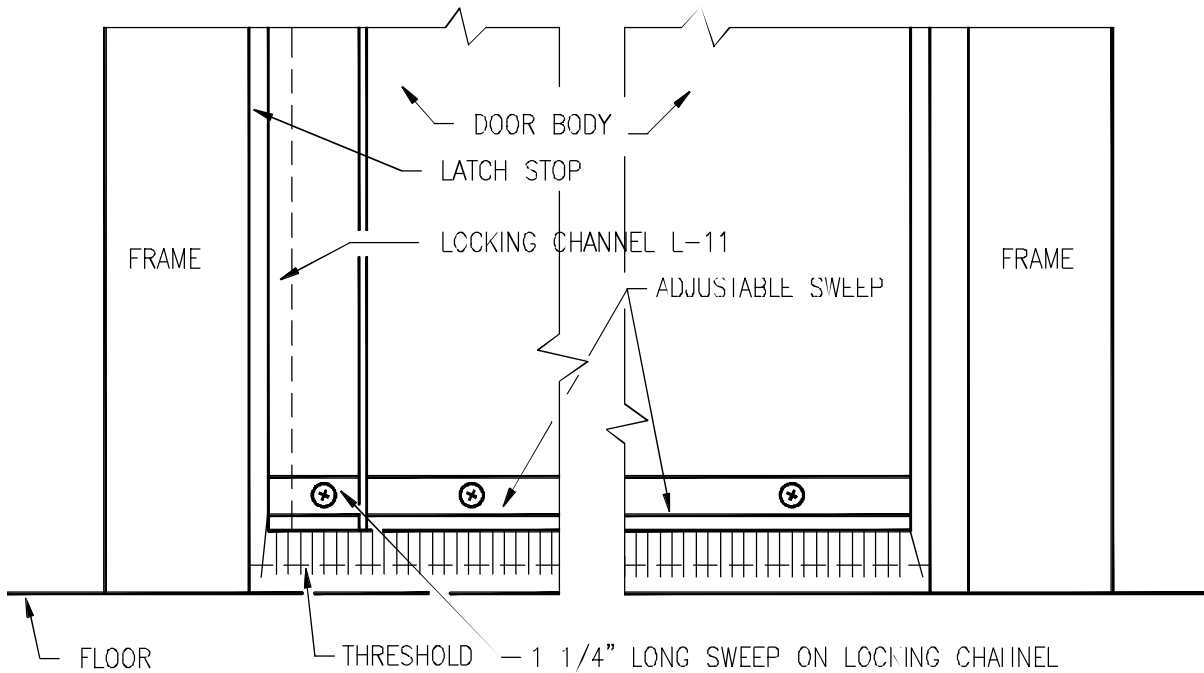
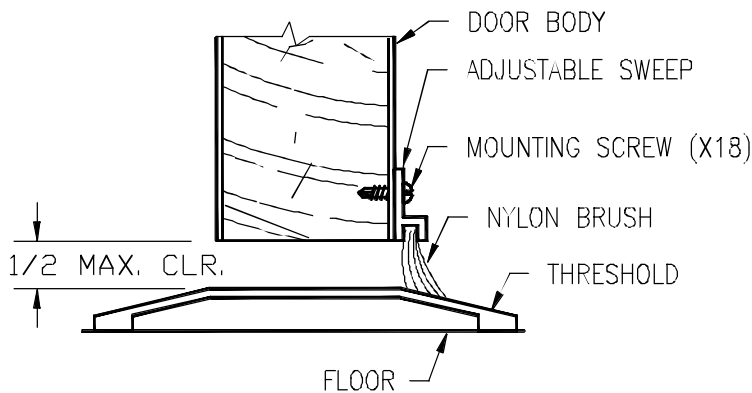


# TECHNICAL DATA SHEET # 14

## SURFACE MOUNTED SWEEP



ELEVATION ADJUSTABLE SWEEP



SECTION VIEW

THE SURFACE SWEEP IS DESIGNED TO PROVIDE AIR, LIGHT & SOUND SEALING ALONG THE BOTTOM OF THE DOOR. IT IS FACTORY INSTALLED TO SEAL CLEARANCES UP TO 1/2".

IF CLEARANCES ARE OVER 1/2", REMOVE SWEEP MOUNTING SCREWS & REINSTALL 1/4" LOWER.



**Total Door** SYSTEMS™  
Global Leader in Integrated Access Technology™

TEL. (800) 852-6660

www.totaldoor.com

© Total Door 2013

FILE NAME

TDS14

DATE 8/30/13