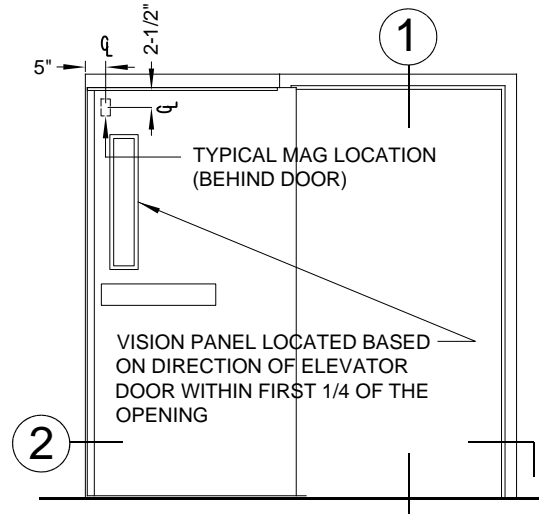


HEAD PROFILE **JAMB PROFILE**

NOTE: FRAME BY TOTAL DOOR



ELEVATION

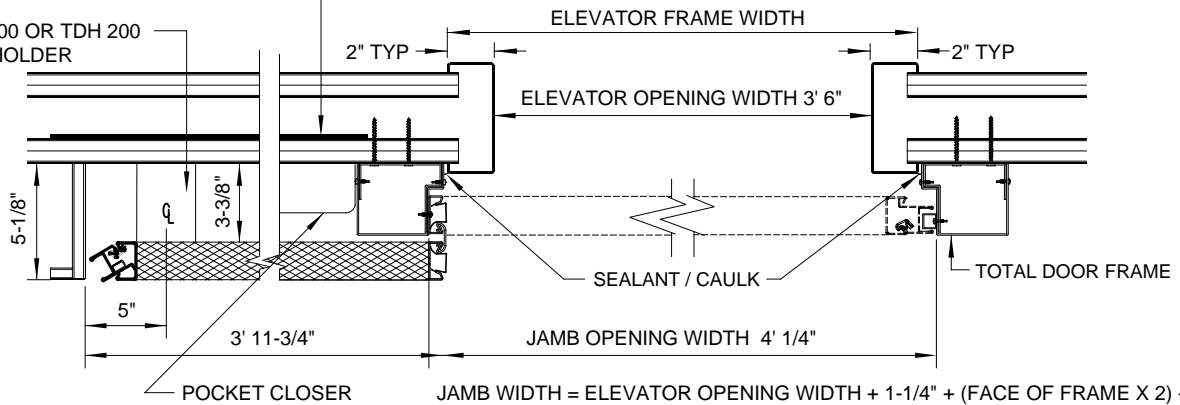
NOT TO SCALE

1 **VERTICAL SECTION**

NOT TO SCALE

12" 16 GA STEEL REINFORCEMENT OR WOOD BLOCKING IN WALL BY G.C. TO RUN FULL WIDTH OF POCKET AND TO TOP OF FRAME

TDH 100 OR TDH 200 MAG HOLDER

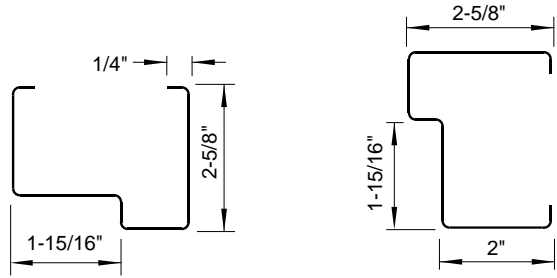
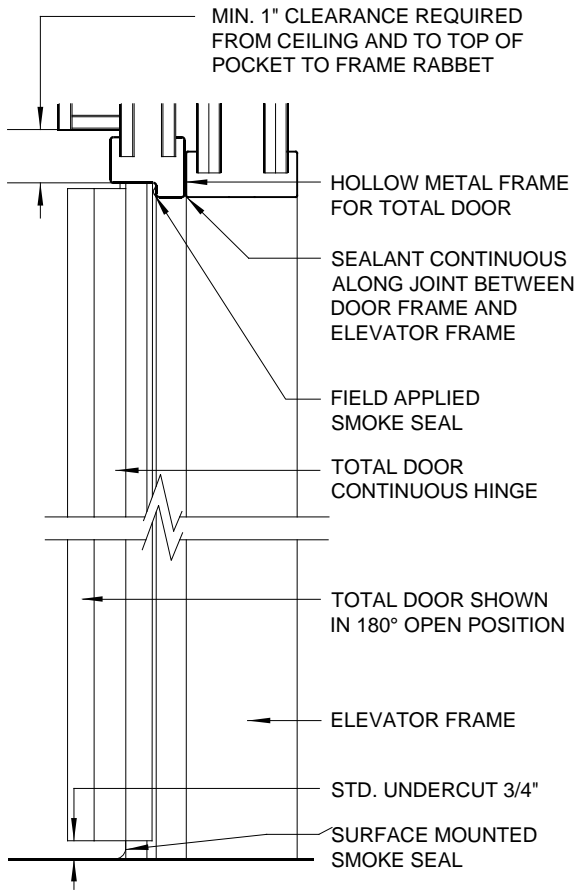


JUNCTION BOX ONLY REQUIRED FOR TDH200 MAG LOCATED 5" FROM END OF POCKET AND 2-1/2" DOWN FROM TOP OF DOOR

JAMB WIDTH = ELEVATOR OPENING WIDTH + 1-1/4" + (FACE OF FRAME X 2) + 1"
 JAMB HEIGHT = ELEVATOR OPENING HEIGHT + 5/8" + (FACE OF FRAME X 1) + 1/2"

2 **HORIZONTAL SECTION**

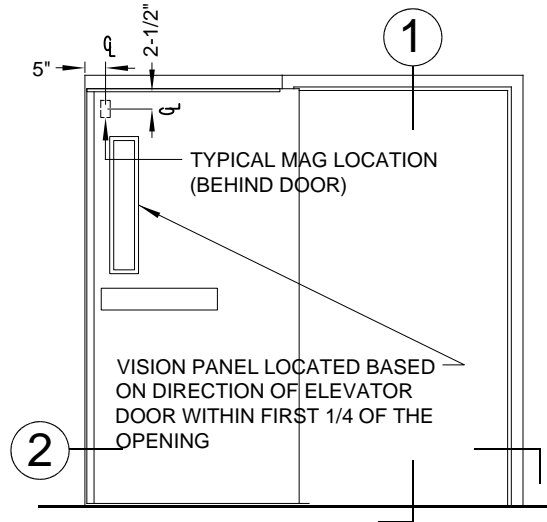
NOT TO SCALE



HEAD PROFILE

JAMB PROFILE

NOTE: FRAME BY OTHERS



ELEVATION

NOT TO SCALE

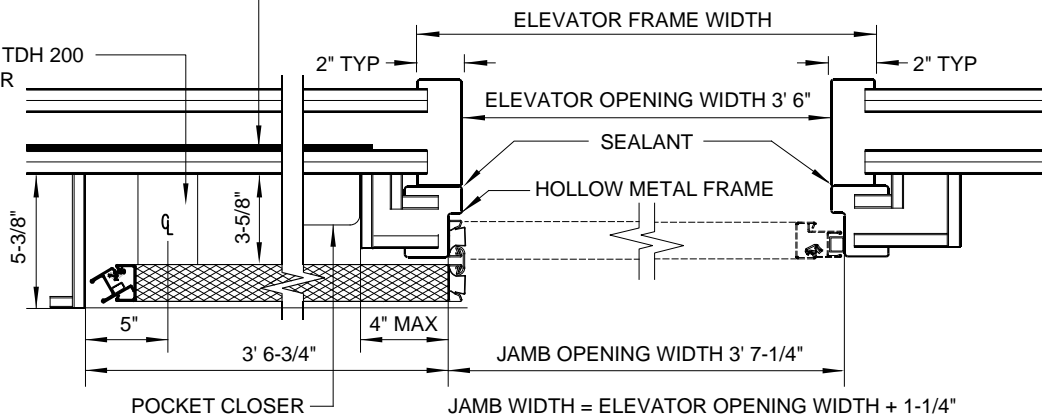
1

VERTICAL SECTION

NOT TO SCALE

12" 16 GA STEEL REINFORCEMENT OR WOOD BLOCKING IN WALL BY G.C. TO RUN FULL WIDTH OF POCKET AND TO TOP OF FRAME

TDH 100 OR TDH 200 MAG HOLDER

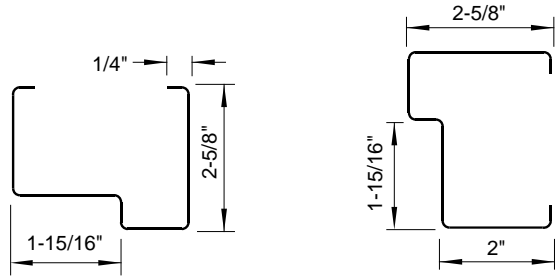
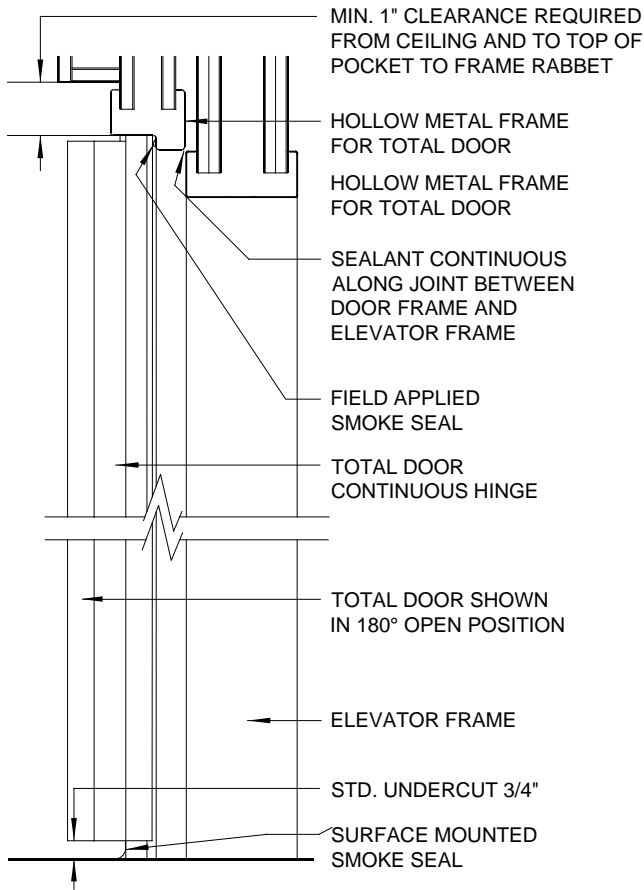


JUNCTION BOX ONLY REQUIRED FOR TDH200 MAG LOCATED 5" FROM END OF POCKET AND 2-1/2" DOWN FROM TOP OF DOOR

2

HORIZONTAL SECTION

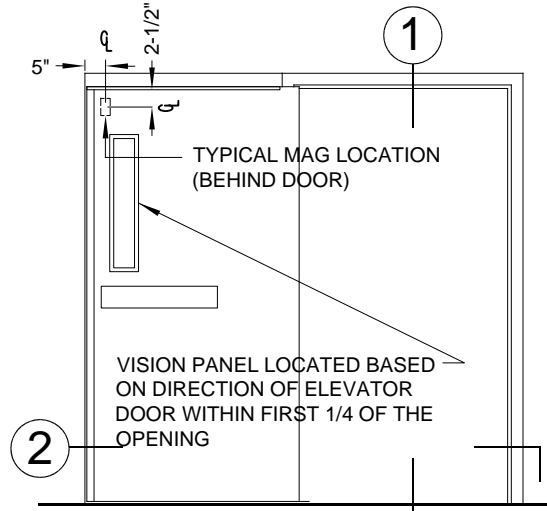
NOT TO SCALE



HEAD PROFILE

JAMB PROFILE

NOTE: FRAME BY OTHERS



1

VERTICAL SECTION

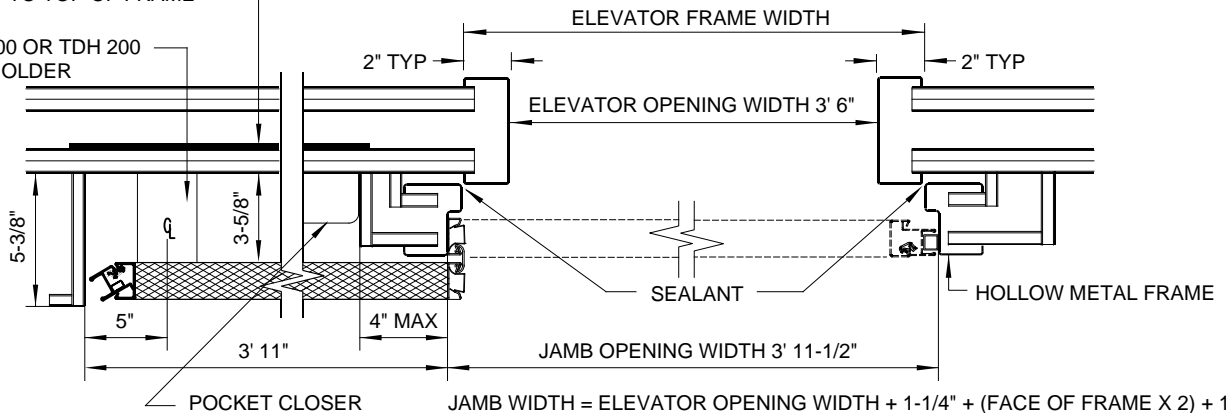
NOT TO SCALE

ELEVATION

NOT TO SCALE

12" 16 GA STEEL REINFORCEMENT OR WOOD BLOCKING IN WALL BY G.C. TO RUN FULL WIDTH OF POCKET AND TO TOP OF FRAME

TDH 100 OR TDH 200 MAG HOLDER



JUNCTION BOX ONLY REQUIRED FOR TDH200 MAG LOCATED 5" FROM END OF POCKET AND 2-1/2" DOWN FROM TOP OF DOOR

$$\text{JAMB WIDTH} = \text{ELEVATOR OPENING WIDTH} + 1-1/4" + (\text{FACE OF FRAME} \times 2) + 1/4"$$

$$\text{JAMB HEIGHT} = \text{ELEVATOR OPENING HEIGHT} + 5/8" + (\text{FACE OF FRAME} \times 1) + 1/8"$$

2

HORIZONTAL SECTION

NOT TO SCALE