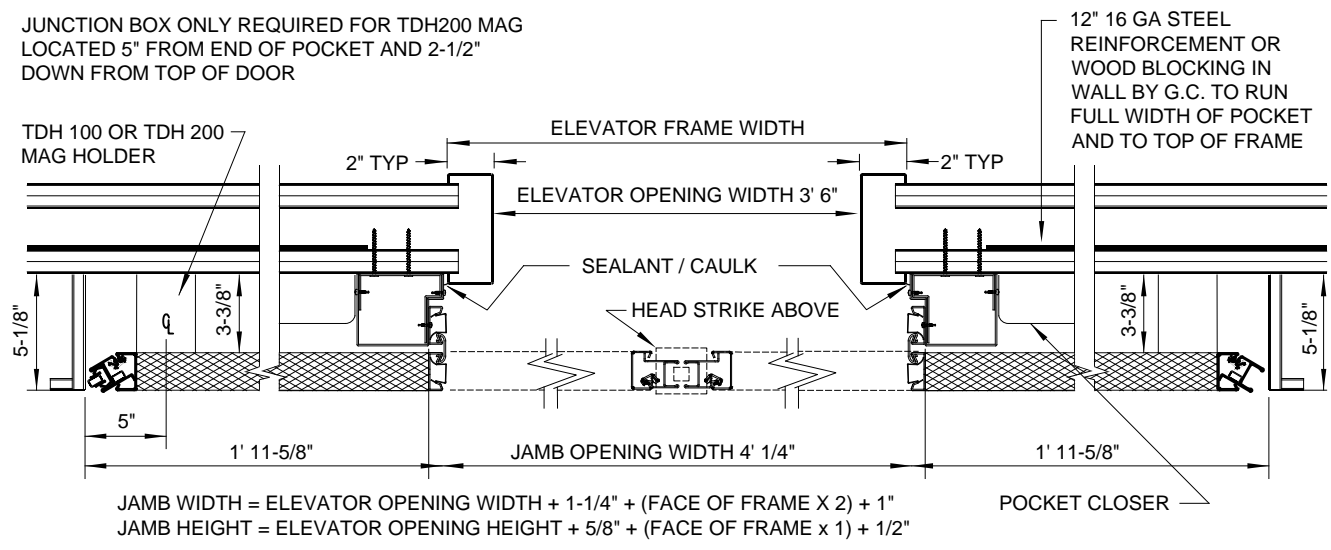


1 VERTICAL SECTION
NOT TO SCALE

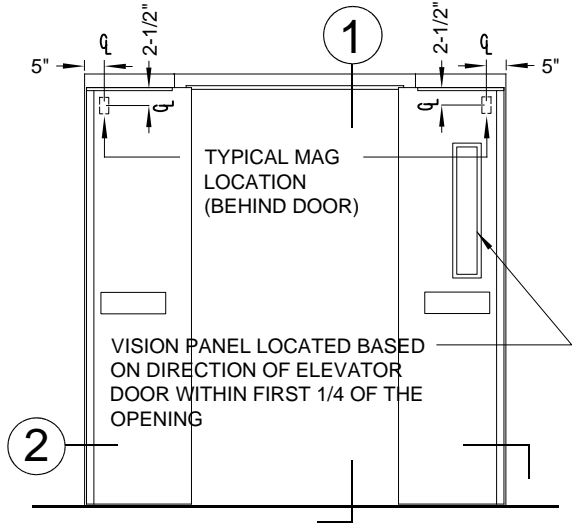
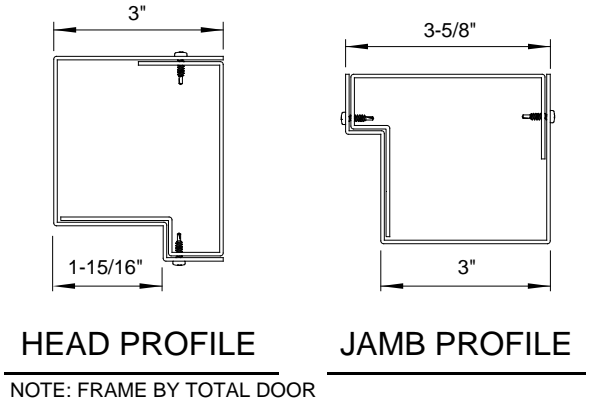
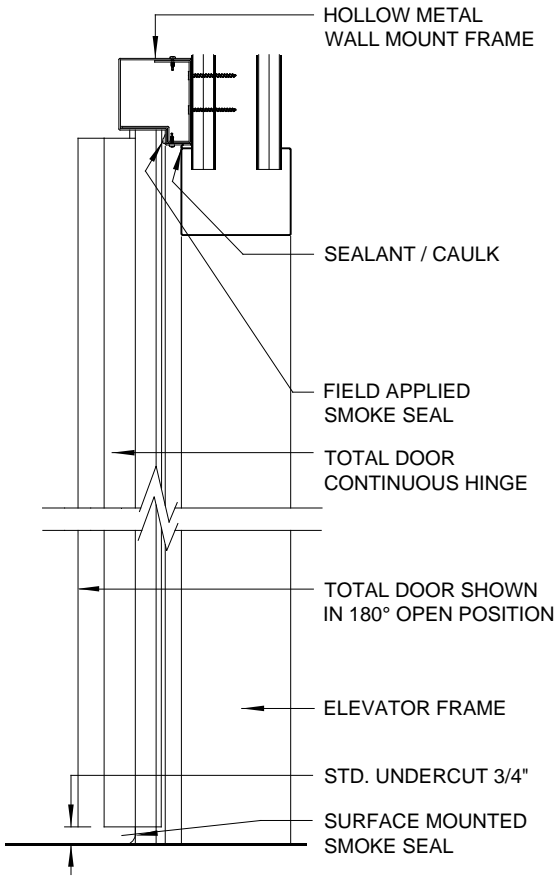
ELEVATION
NOT TO SCALE

JUNCTION BOX ONLY REQUIRED FOR TDH200 MAG LOCATED 5" FROM END OF POCKET AND 2-1/2" DOWN FROM TOP OF DOOR



JAMB WIDTH = ELEVATOR OPENING WIDTH + 1-1/4" + (FACE OF FRAME X 2) + 1"
 JAMB HEIGHT = ELEVATOR OPENING HEIGHT + 5/8" + (FACE OF FRAME X 1) + 1/2"

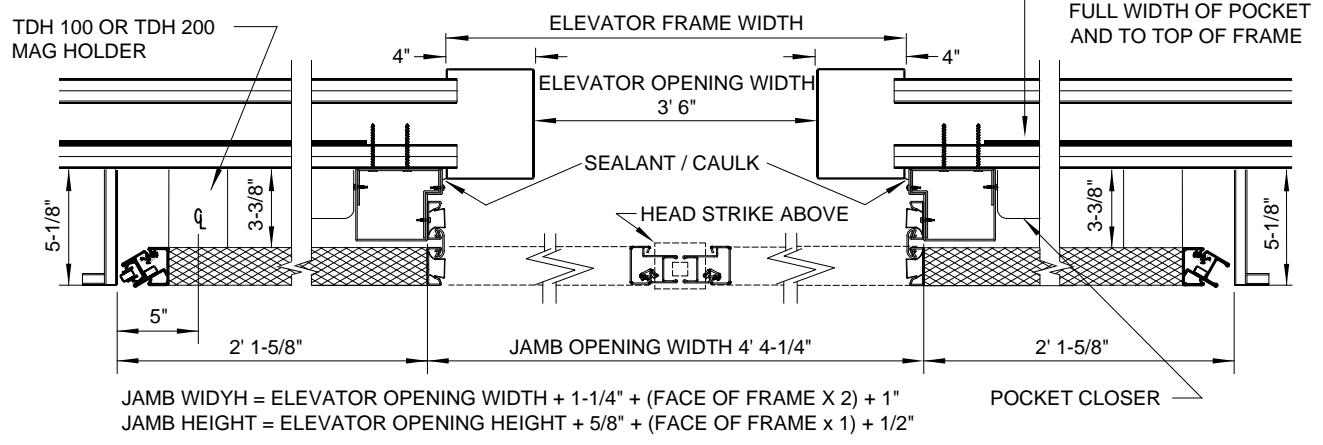
2 HORIZONTAL SECTION
NOT TO SCALE



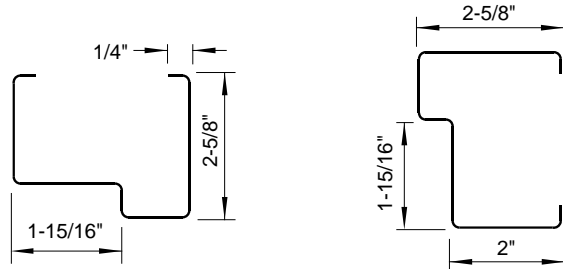
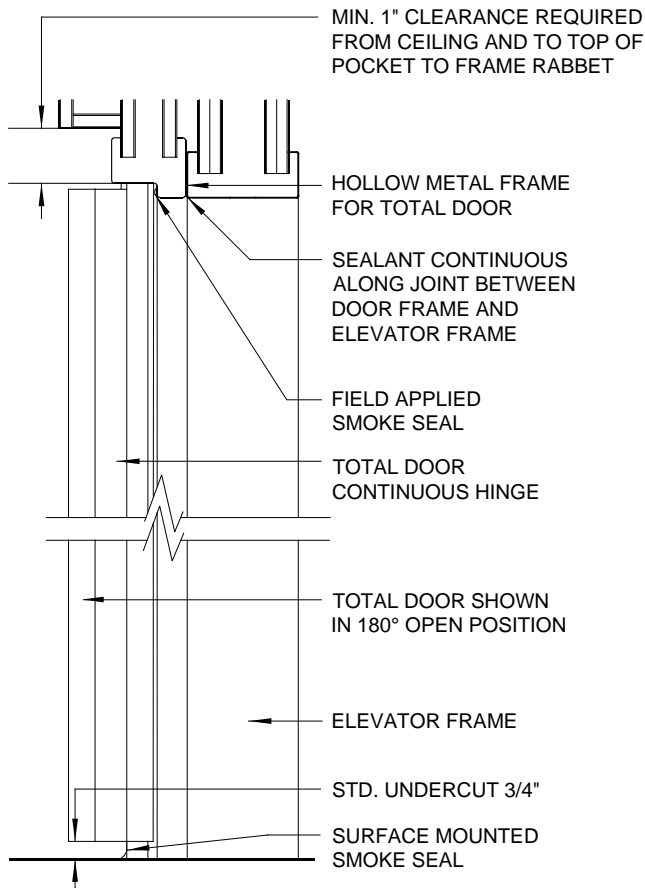
1 **VERTICAL SECTION**
NOT TO SCALE

ELEVATION
NOT TO SCALE

JUNCTION BOX ONLY REQUIRED FOR TDH200 MAG LOCATED 5" FROM END OF POCKET AND 2-1/2" DOWN FROM TOP OF DOOR



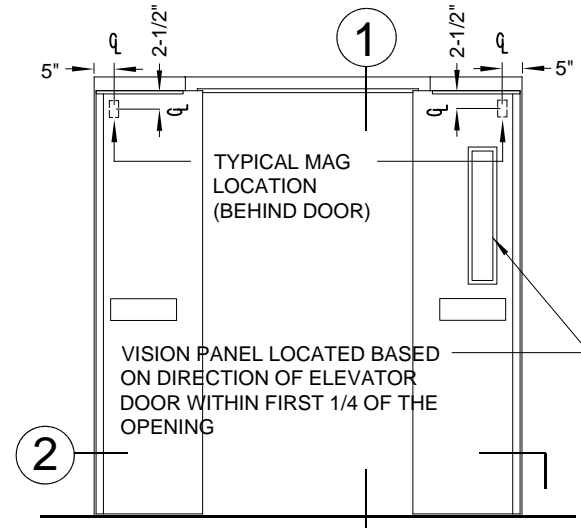
2 **HORIZONTAL SECTION**
NOT TO SCALE



HEAD PROFILE

JAMB PROFILE

NOTE: FRAME BY OTHERS



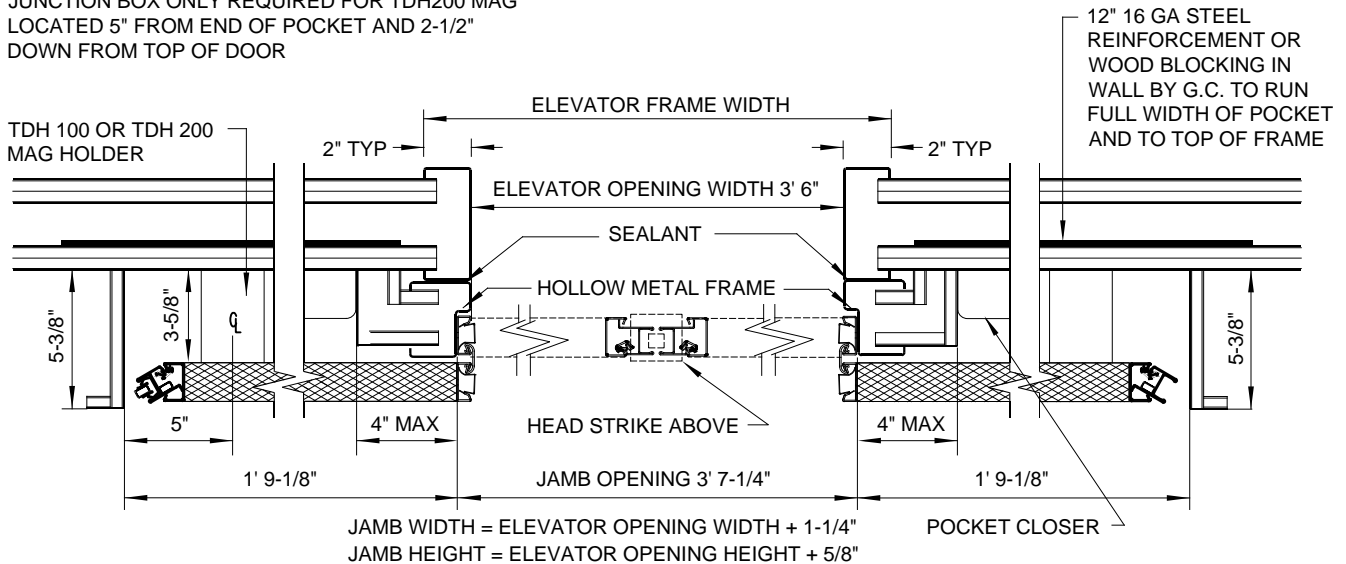
1 VERTICAL SECTION

NOT TO SCALE

ELEVATION

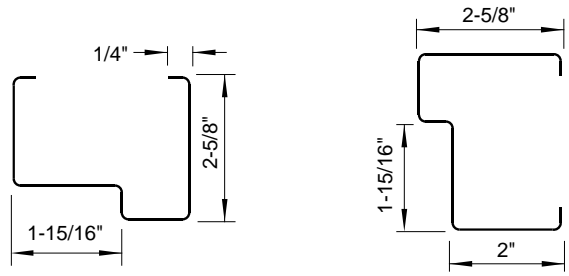
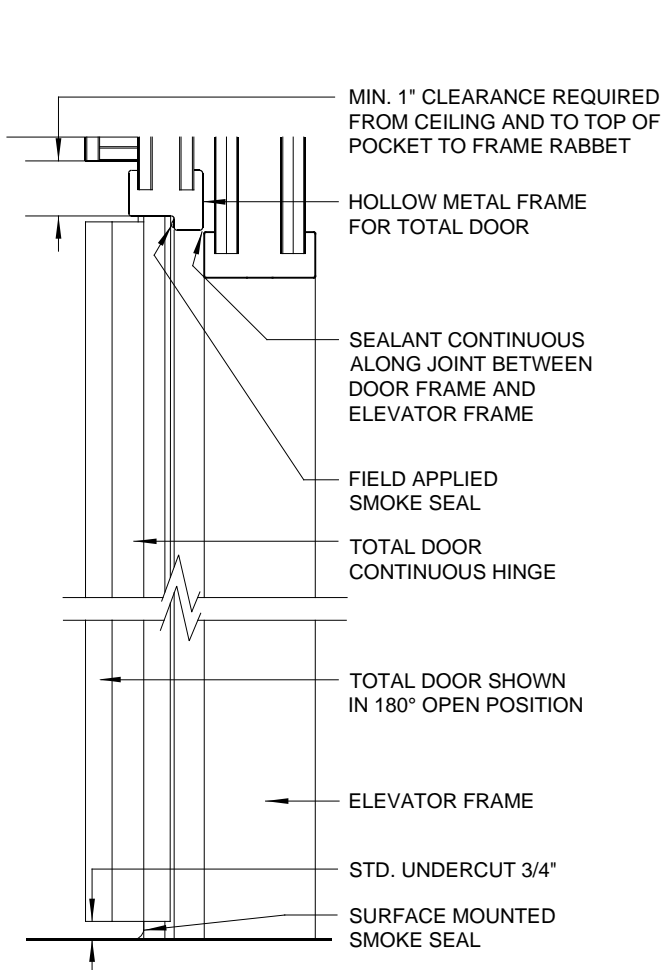
NOT TO SCALE

JUNCTION BOX ONLY REQUIRED FOR TDH200 MAG LOCATED 5" FROM END OF POCKET AND 2-1/2" DOWN FROM TOP OF DOOR

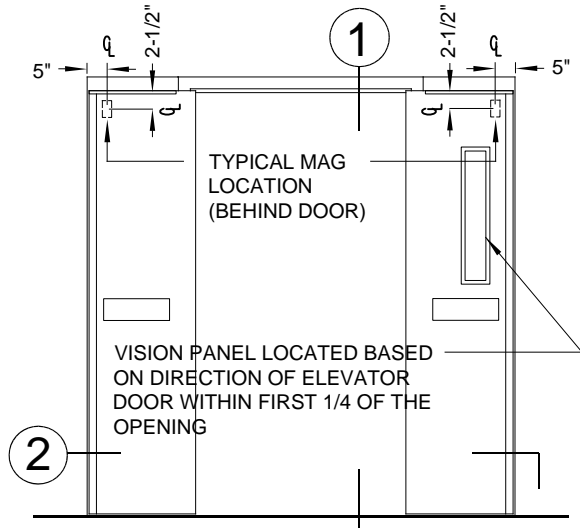


2 HORIZONTAL SECTION

NOT TO SCALE



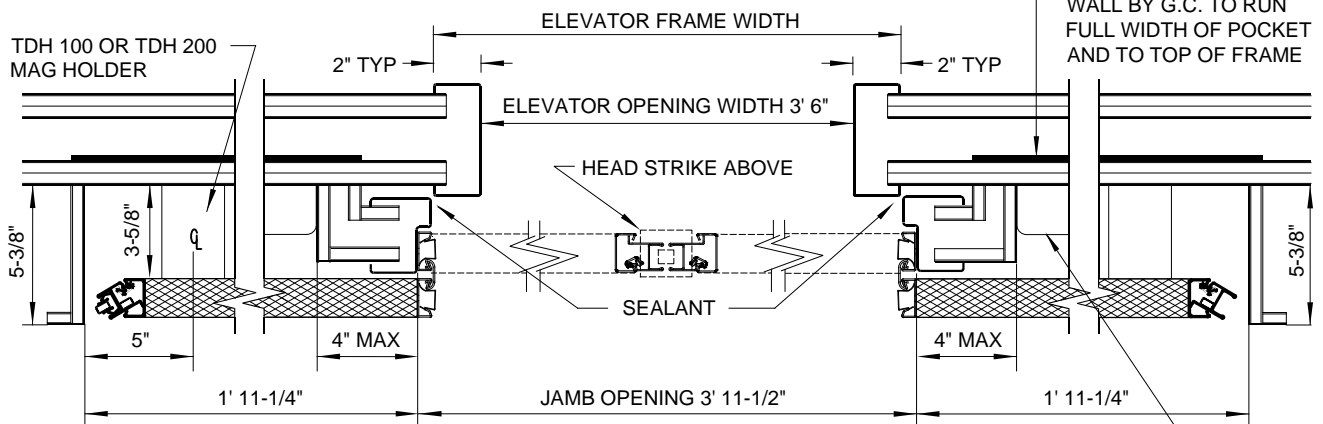
HEAD PROFILE **JAMB PROFILE**
NOTE: FRAME BY OTHERS



1 VERTICAL SECTION
NOT TO SCALE

ELEVATION
NOT TO SCALE

JUNCTION BOX ONLY REQUIRED FOR TDH200 MAG LOCATED 5" FROM END OF POCKET AND 2-1/2" DOWN FROM TOP OF DOOR



JAMB WIDTH = ELEVATOR OPENING WIDTH + 1-1/4" + (FACE OF FRAME X 2) + 1/4"
JAMB HEIGHT = ELEVATOR OPENING HEIGHT + 5/8" + (FACE OF FRAME X 1) + 1/8"

2 HORIZONTAL SECTION
NOT TO SCALE