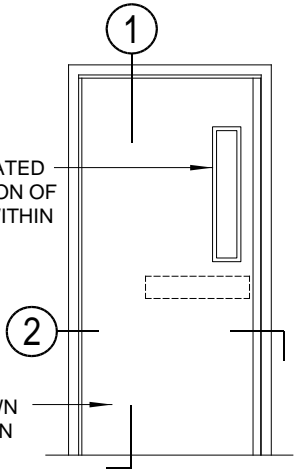


HEAD PROFILE

JAMB PROFILE

NOTE: FRAME BY TOTAL DOOR

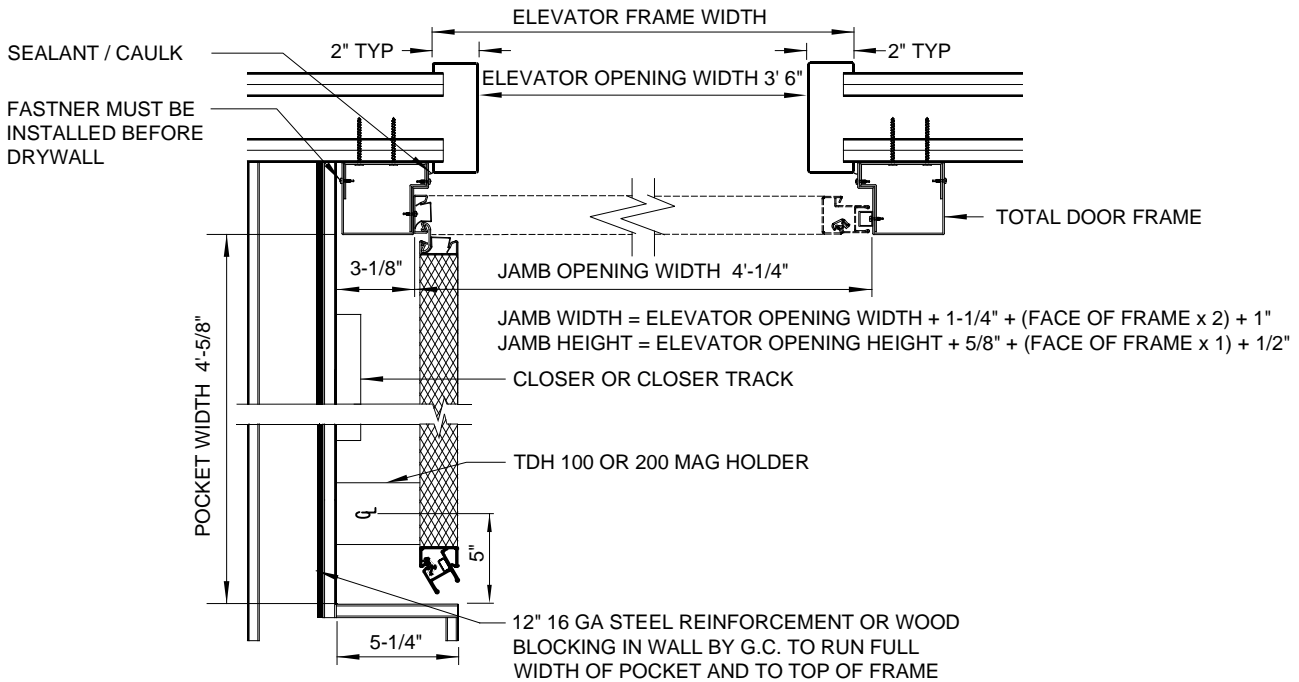


ELEVATION

1 VERTICAL SECTION

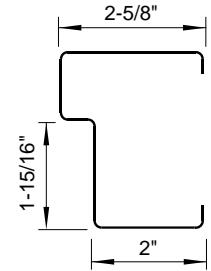
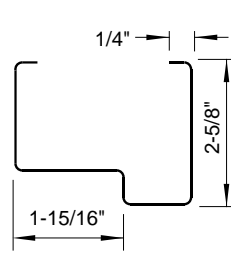
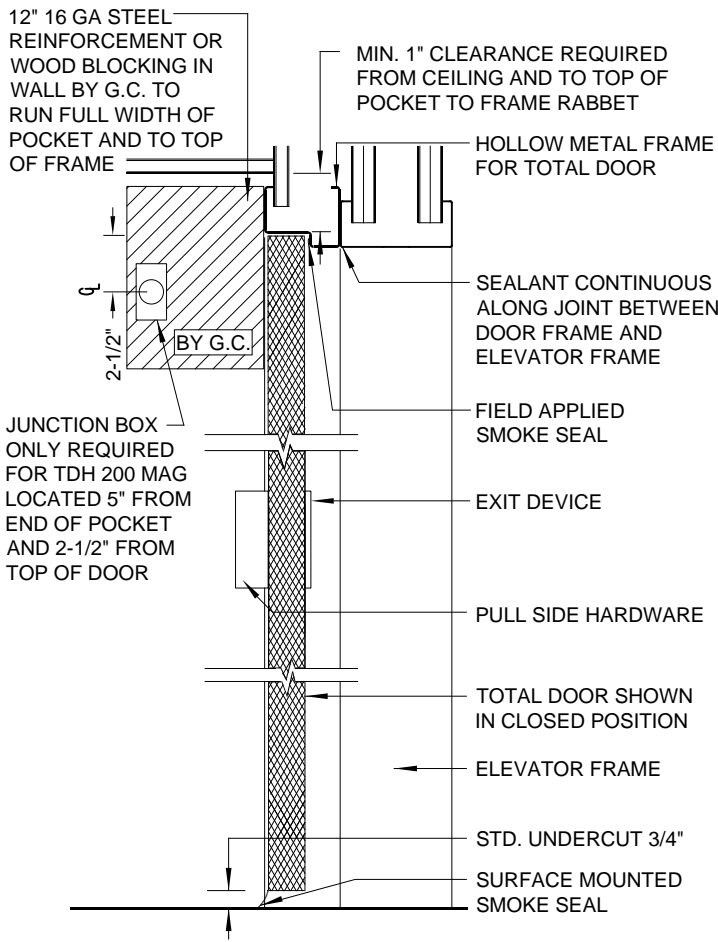
NOT TO SCALE

NOT TO SCALE



2 HORIZONTAL SECTION

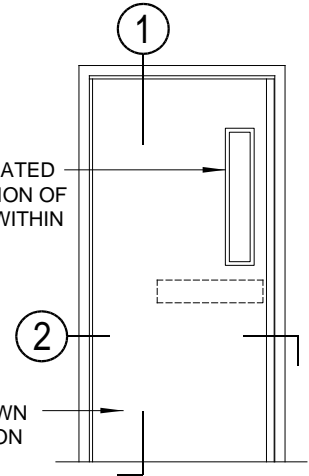
NOT TO SCALE



HEAD PROFILE

JAMB PROFILE

NOTE: FRAME BY OTHERS

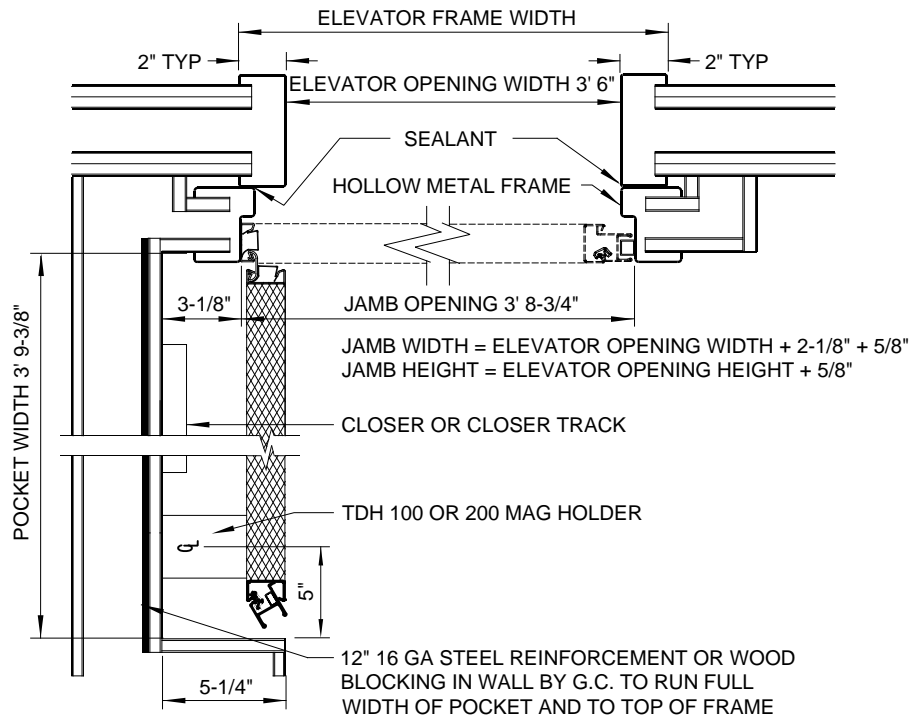


ELEVATION

1 VERTICAL SECTION

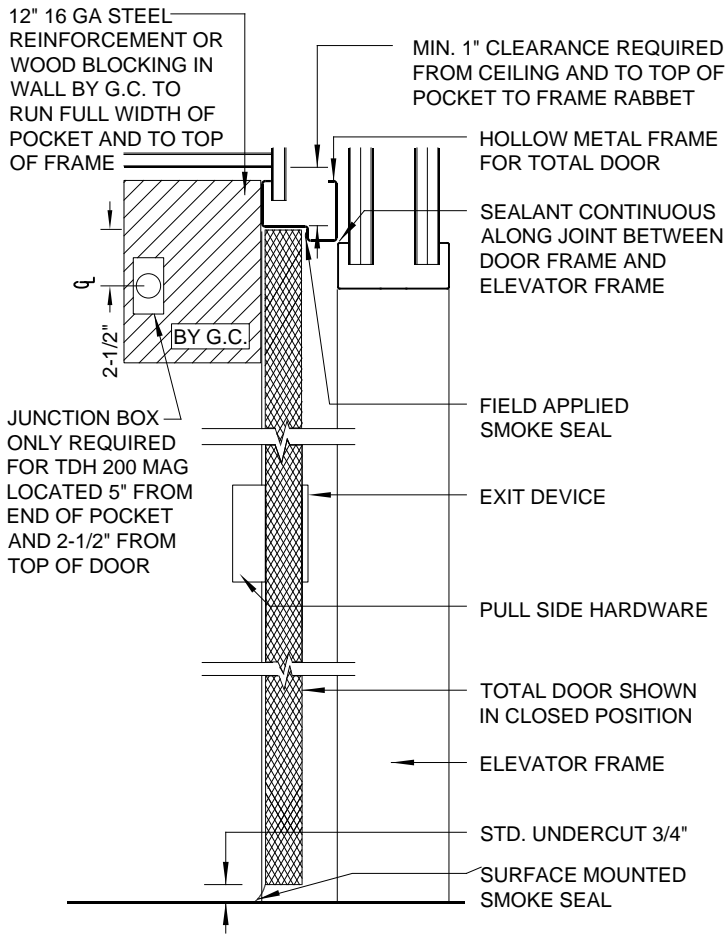
NOT TO SCALE

NOT TO SCALE

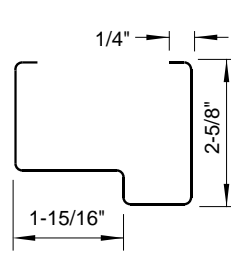


2 HORIZONTAL SECTION

NOT TO SCALE

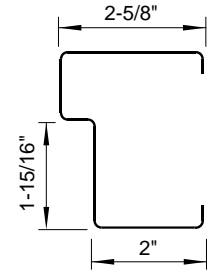


1 VERTICAL SECTION
NOT TO SCALE



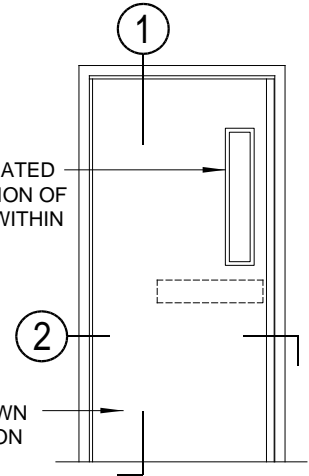
HEAD PROFILE

NOTE: FRAME BY OTHERS



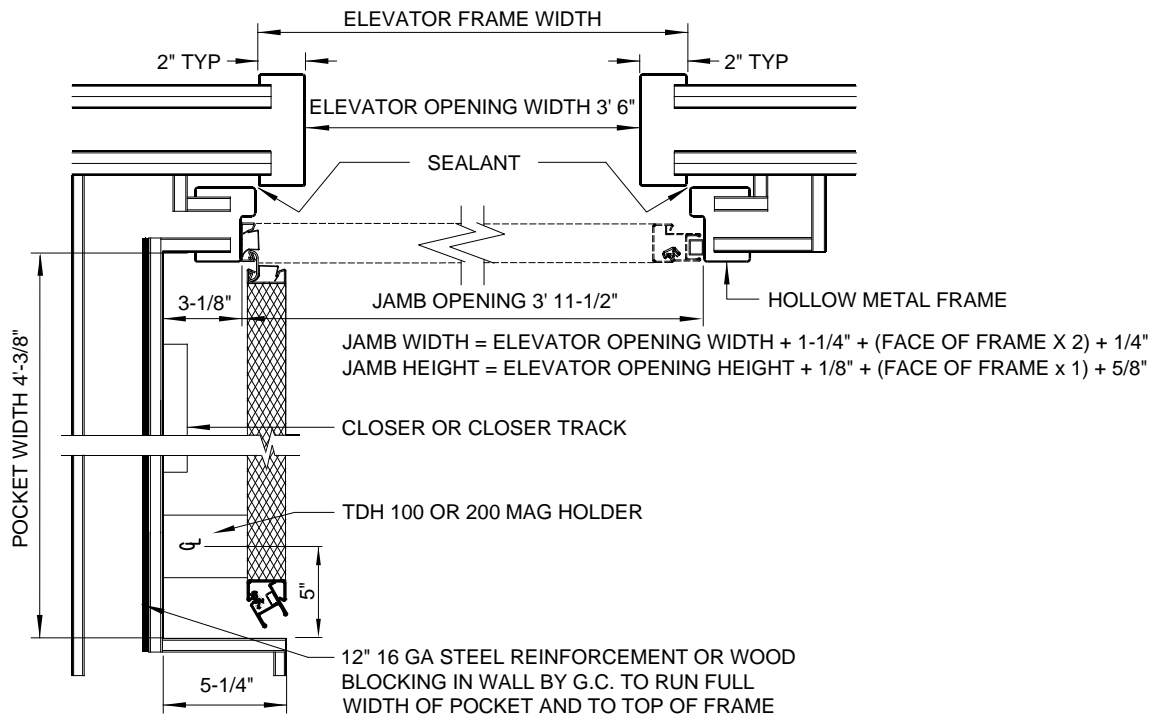
JAMB PROFILE

VISION PANEL LOCATED
BASED ON DIRECTION OF
ELEVATOR DOOR WITHIN
FIRST 1/4 OF THE
OPENING



ELEVATION

NOT TO SCALE



2 HORIZONTAL SECTION
NOT TO SCALE