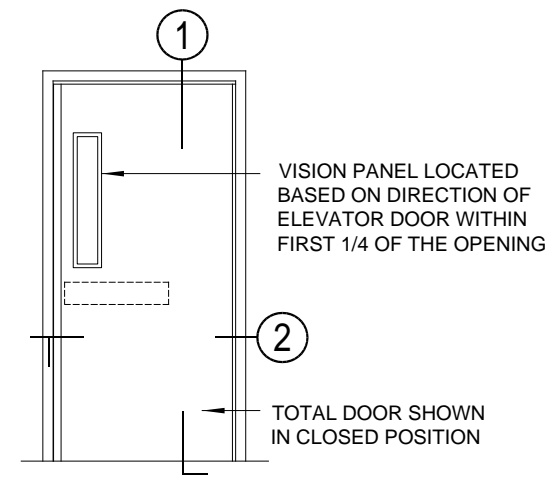
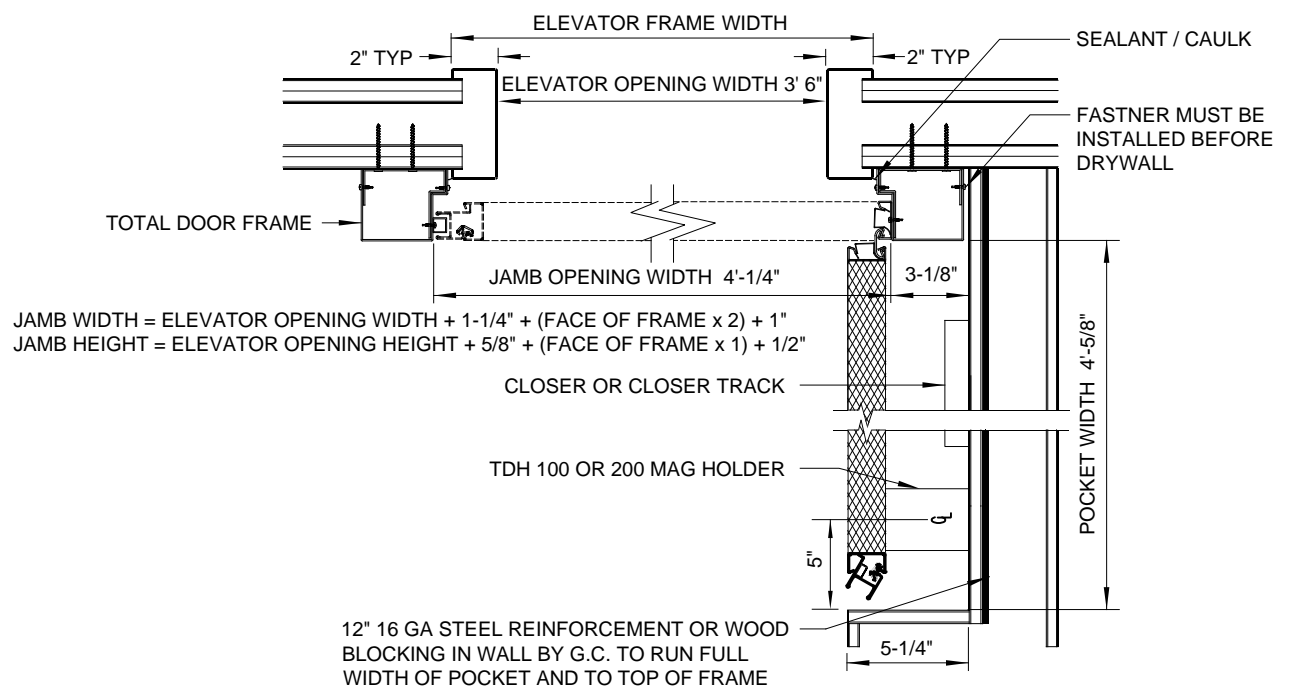


NOTE: FRAME BY TOTAL DOOR

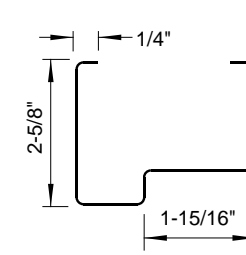
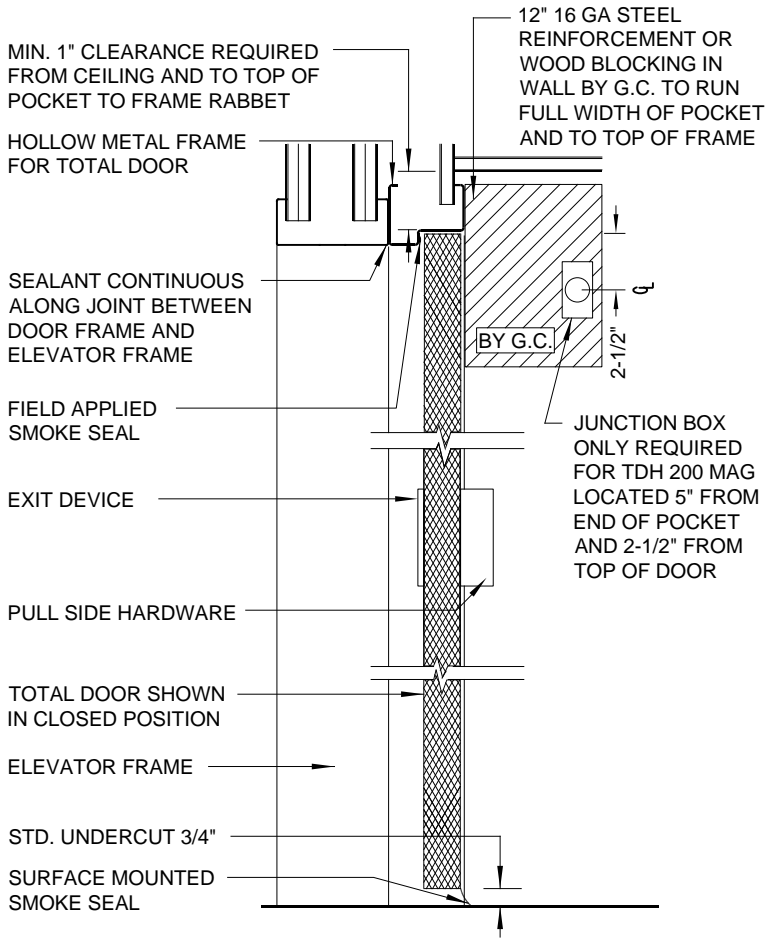


**1** VERTICAL SECTION  
NOT TO SCALE

**ELEVATION**  
NOT TO SCALE

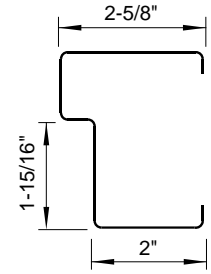


**2** HORIZONTAL SECTION  
NOT TO SCALE

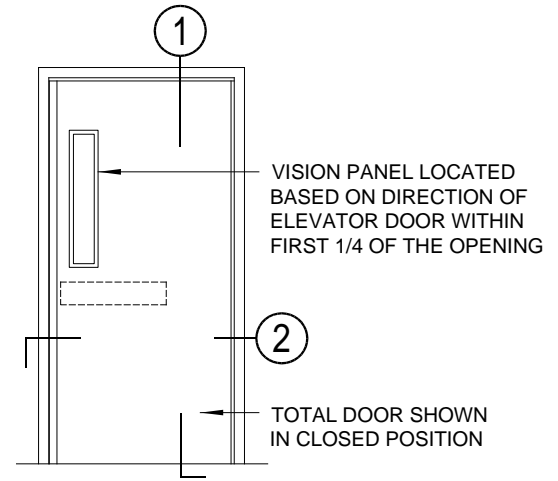


**HEAD PROFILE**

NOTE: FRAME BY OTHERS



**JAMB PROFILE**

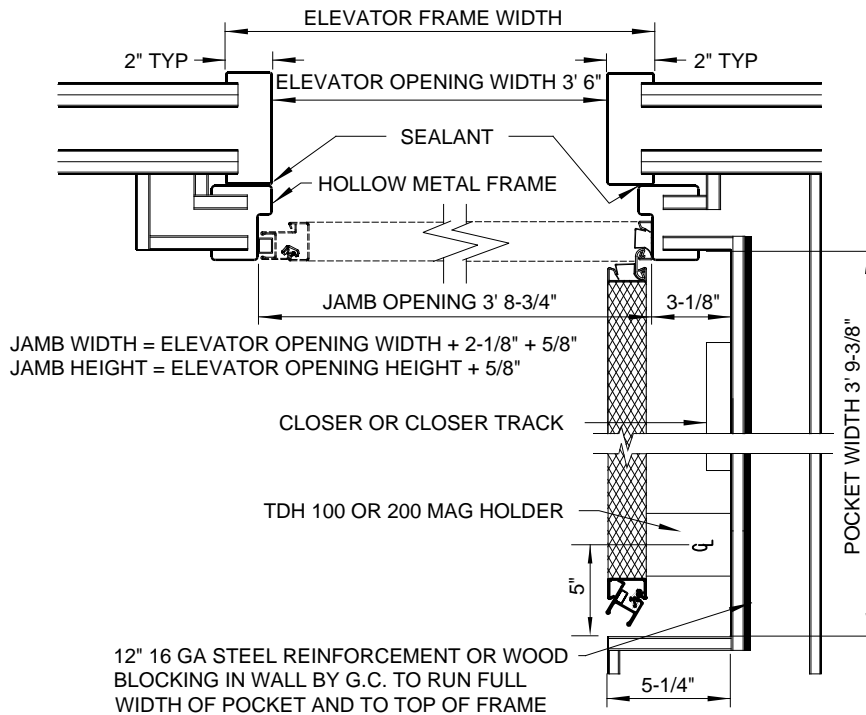


**ELEVATION**

NOT TO SCALE

**1 VERTICAL SECTION**

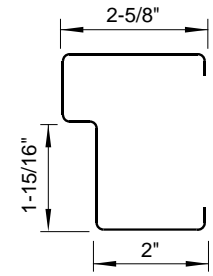
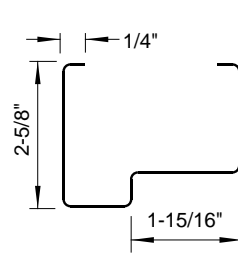
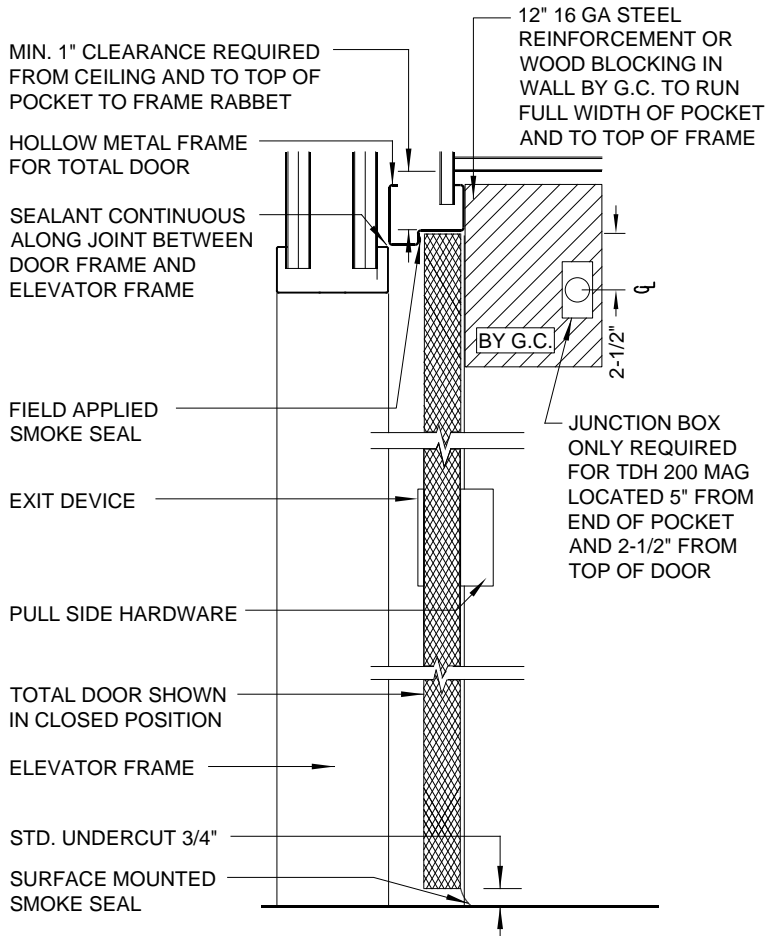
NOT TO SCALE



JAMB WIDTH = ELEVATOR OPENING WIDTH + 2-1/8" + 5/8"  
 JAMB HEIGHT = ELEVATOR OPENING HEIGHT + 5/8"

**2 HORIZONTAL SECTION**

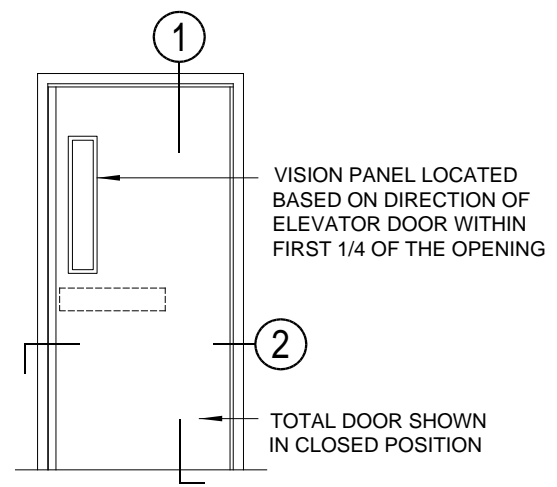
NOT TO SCALE



**HEAD PROFILE**

**JAMB PROFILE**

NOTE: FRAME BY OTHERS

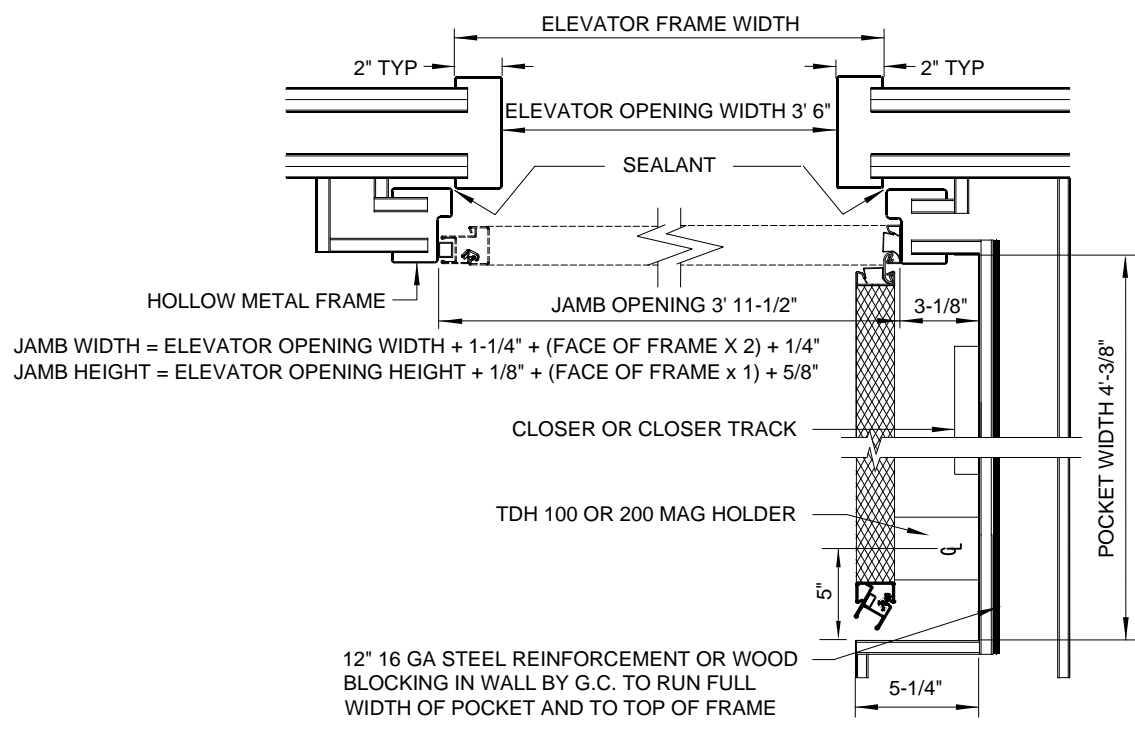


**ELEVATION**

**1 VERTICAL SECTION**

NOT TO SCALE

NOT TO SCALE



**2 HORIZONTAL SECTION**

NOT TO SCALE