

TECHNICAL DATA SHEET #19T

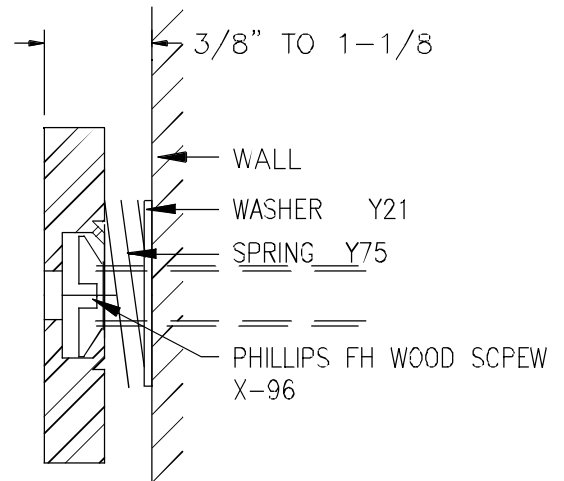
ARMATURE TYPES FOR ELECTROMAGNET

SEE DATA SHEETS 19U & 19V FOR
ADDITIONAL SIZES AND INFORMATION

TYPE 1

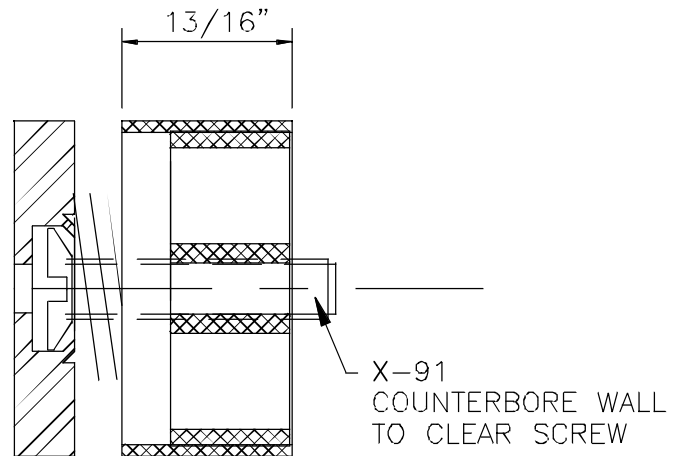
FOR POCKET DEPTH
OF 2-3/8 TO 3-1/16

FOR USE WITH EXIT ONLY FUNCTIONS
NO PULL HARDWARE



TYPE 2

FOR POCKET DEPTH
OF 3-1/8 TO 3-9/16



TYPE 3

FOR POCKET DEPTH
OF 3-5/8 TO 4-1/16

