

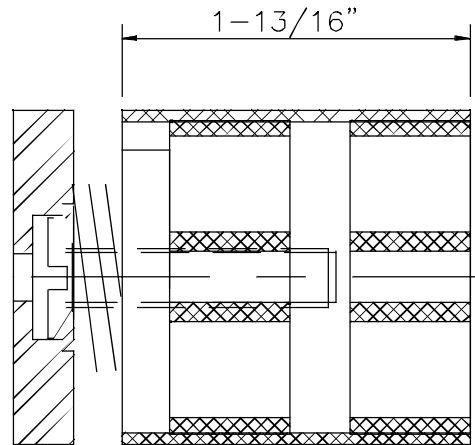
TECHNICAL DATA SHEET # 19U

ARMATURE TYPES FOR ELECTROMAGNETS

SEE DATA SHEETS 19T & 19V FOR
ADDITIONAL SIZES AND INFORMATION

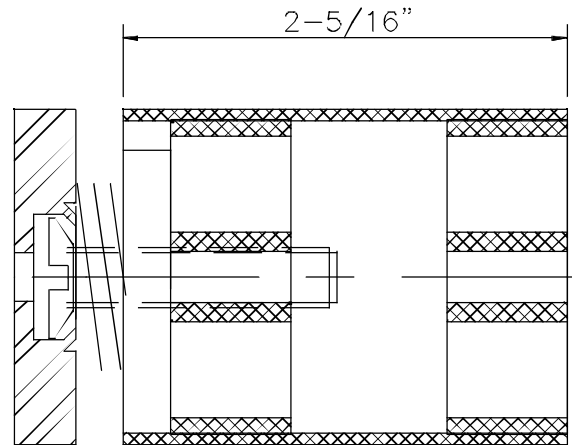
TYPE 4

FOR POCKET DEPTH
OF $4-1/8$ TO $4-9/16$



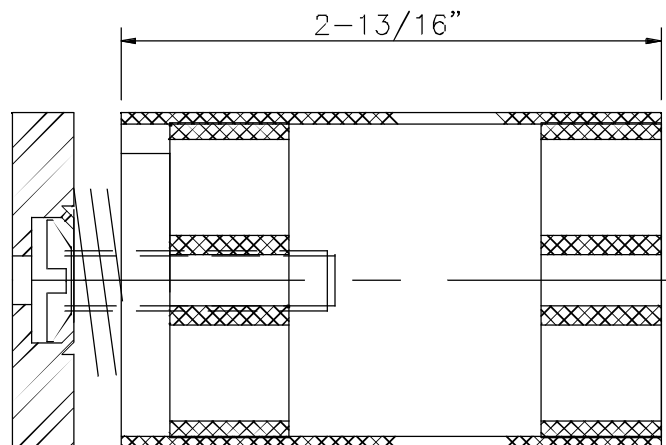
TYPE 5

FOR POCKET DEPTH
OF $4-5/8$ TO $5-1/16$



TYPE 6

FOR POCKET DEPTH
OF $5-1/8$ TO $5-9/16$



Total Door SYSTEMS™
Global Leader in Integrated Access Technology™

TEL. (800) 852-6660

www.totaldoor.com

© Total Door 2013

FILE NAME

TDS19U

DATE 8/02/13