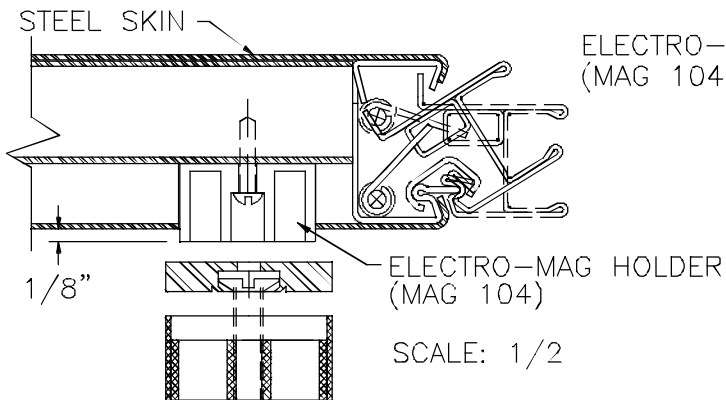
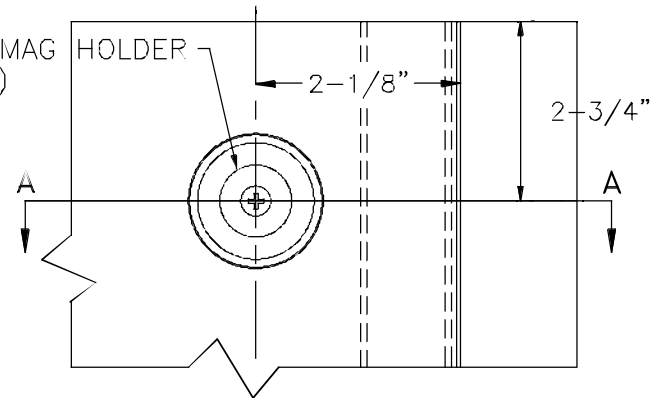


TECHNICAL DATA SHEET # 19V

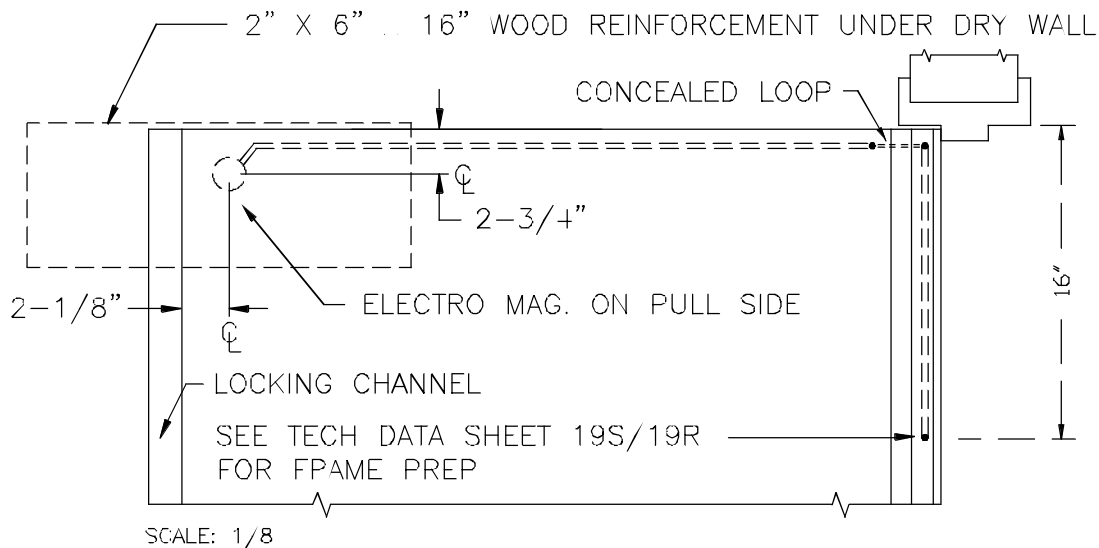
MORTISE ELECTROMAGNETIC HOLDER TDH 100



SECTION: A-A



ELEVATION TOP EDGE OF DOOR, PULL SIDE



ELEVATION OF DOOR SHOWN OPEN 90° - 180° OPEN SIMILAR

FEATURES: INTEGRAL PART OF TOTAL DOOR SYSTEM.

AGENCY APPROVALS: WARNOCK HERSEY/ITS LISTED.

SPECIFICATIONS: MINIMUM HOLDING FORCE AT RATED VA = 38 POUNDS (17.2kg).

INSTALLATION: ELECTRO MAGNET IS MOUNTED IN THE FACTORY. THE ARMATURE (CATCH PLATE) IS FIELD MOUNTED. PROVIDE BACKER BLOCK AS SHOWN ABOVE. NO ELECTRICAL GANG BOX IS REQUIRED.

POWER OPTIONS: 1) PROVIDED WITH A 110V IN/24V-DC OUT, 750MA TRANSFORMER (MAG 105B) FOR HARDWIRING INTO A DEDICATED CIRCUIT RECEPTACLE. 2) CAN ALSO BE WIRED DIRECT TO A 24V-DC ALARM PANEL.

ELECTRO MAGNET: MIN. POWER REQUIRED AT THE DOOR IS 24 VOLTS-DC AND 250 MILLIAMPS (6 WATTS). TRANSFORMER IS SIZED TO OPERATE TWO DOORS.