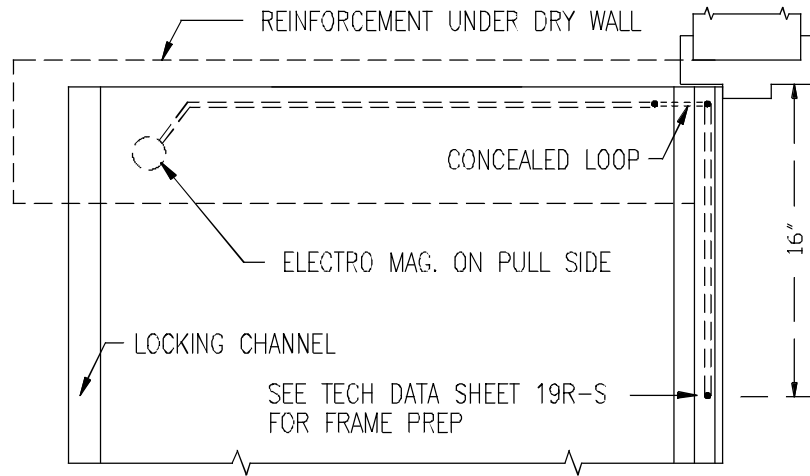
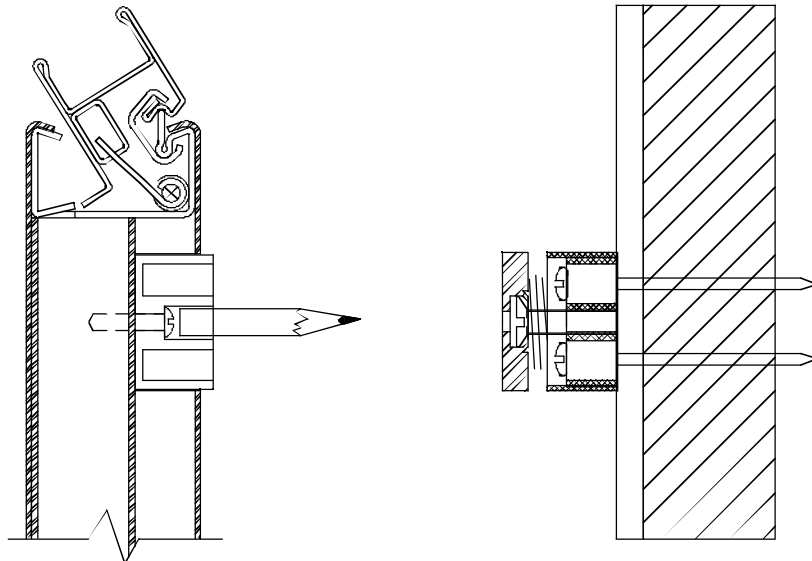


INSTALLATION INSTRUCTIONS FOR TDH-100



ELEVATION OF DOOR SHOWN OPEN 90° - 180° OPEN SIMILAR



1. Inspect frame for wire prep as noted on Tech Data Sheet #19R-S.
2. Remove Jamb Hinge Block (H-15), and install Hinge Housing (H-12) and door leaf per installation instructions.
3. Connect the connector plug and insert pig tail (from parts box) through the grommet in the Hinge Housing (H-12). Leave approx. 1" of slack to allow wire to move as door opens/closes.
4. Install Hinge Block (H-15) into the Hinge Housing (H-12), concealing the connector plug.
5. Insert short pencil in Mag as shown, swing door open slowly until wall is marked. Remove head plate and spring from armature. Install armature with the three screws provided. Once mounted put spring and head plate back on. (Backing must be provided for armature as shown)

If installing type #1 armature, install with screw attached to head plate. Make sure that spring & washer are installed before securing.

6. If the Total Door power supply is being used, it can be installed as supplied. If the Total Door power supply is not used, then Mag should be wired, by others, to the fire or control panel.
7. With the door and Mag installation complete, the door should swing freely and Mag should align and seat.