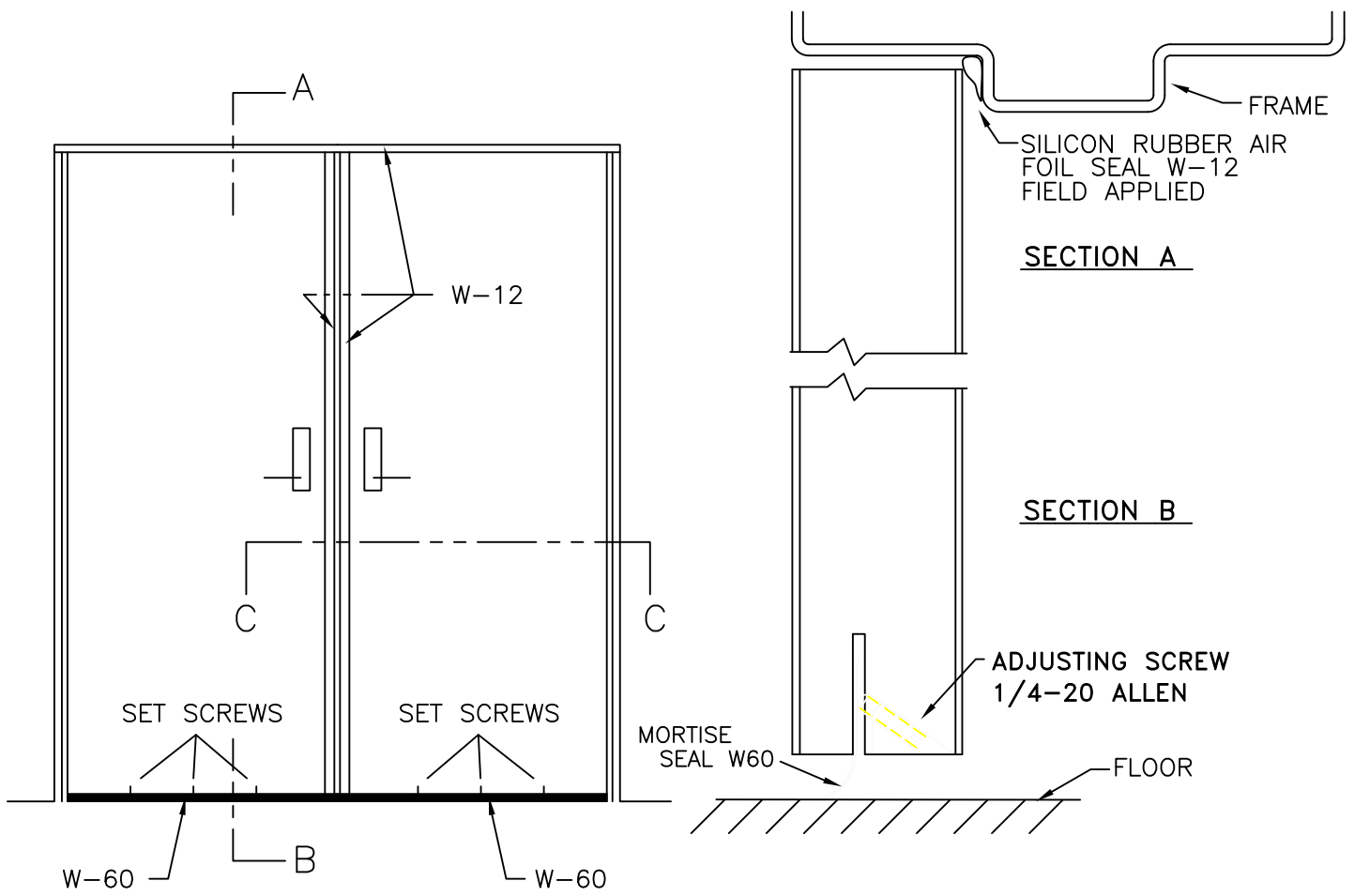
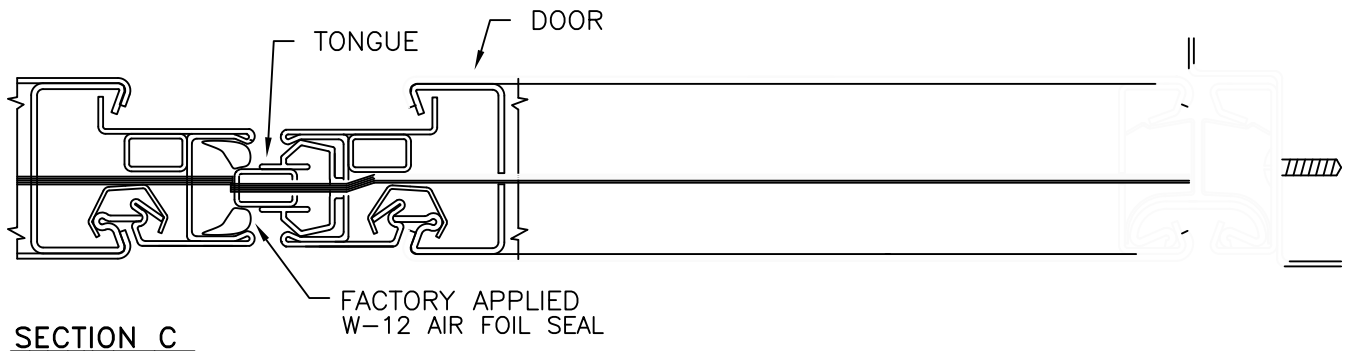


TECHNICAL DATA SHEET # 14A 01

ADJUSTABLE MORTISE SMOKE SEAL



ELEVATION



SECTION C

THE EXTENSION OF THE GASKET MAY BE ADJUSTED BY LOOSENING THE 1/4"-20 ALLEN SET SCREWS AND MANUALLY RAISING OR LOWERING THE DUAL DUROMETER GASKET W-60 TO THE DESIRED HEIGHT AND THEN RETIGHTENING THE SET SCREWS. USE 1/8" ALLEN WRENCH.