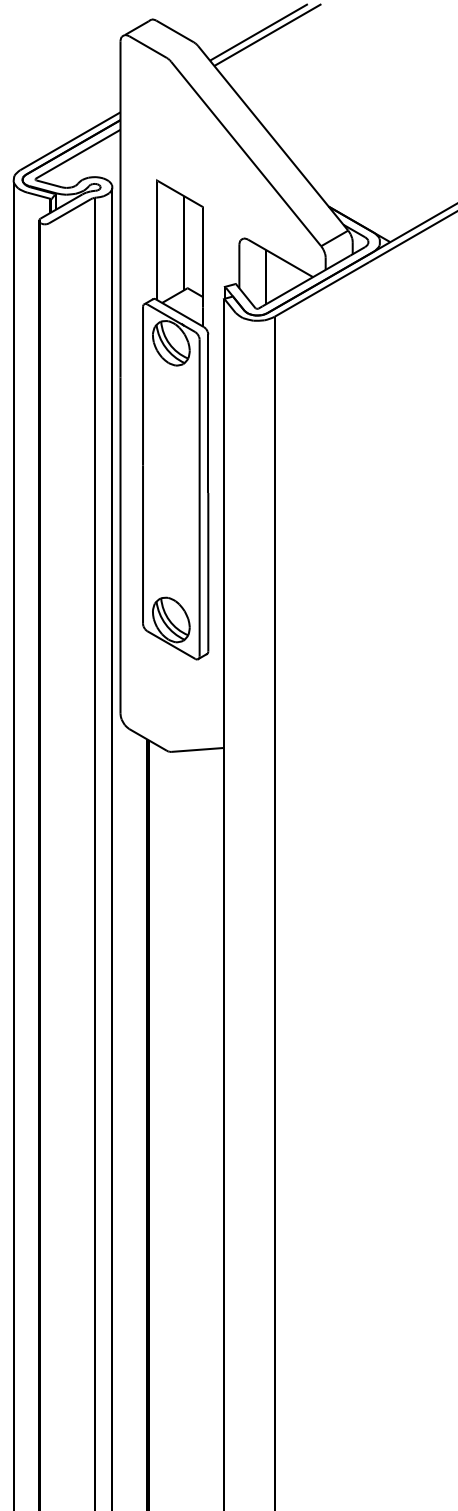
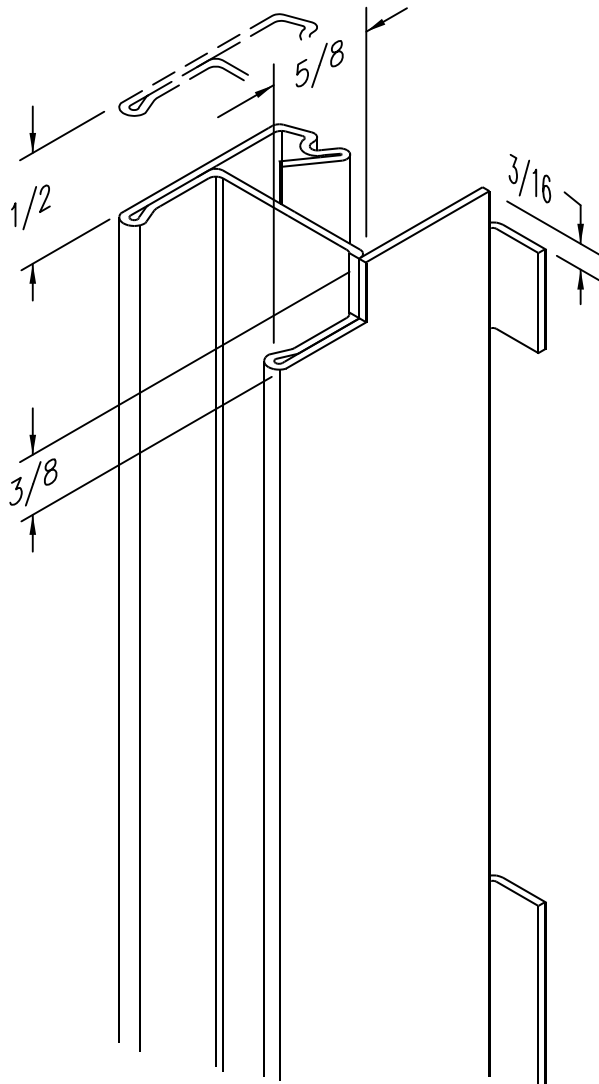


TECHNICAL DATA SHEET # 70

01

D/E L-11 PREPARATION FOR 3-STEP FRAME

NOTE: TOTAL DOOR SYSTEMS MUST BE TOLD IF THE TOTAL-DOOR IS TO BE INSTALLED INTO A NEW OR EXISTING TRIPPLE STEPPED DOUBLE EGRESS FRAME AS OPPOSED TO OUR CUSTOMARY PLAIN CASED DOUBLE EGRESS FRAME. THIS SITUATION REQUIRES A DOUBLE EGRESS LOCKING CHANNEL SHORTENED BY AN ADDITIONAL 1/2" AND A HEAD STRIKE WHICH IS 1/2" TALLER. THIS ALLOWS THE LOCKING CHANNEL TO CLEAR THE HEAD STOPS WHICH DO NOT STOP 1/8" SHORT OF THE FRAME CENTERLINE.



Total Door SYSTEMS™
Global Leader in Integrated Access Technology™

TEL. (800) 852-6660
www.totaldoor.com
© Total Door 2013

FILE NAME
TDS70-01
DATE 8/30/13