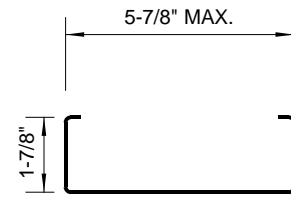
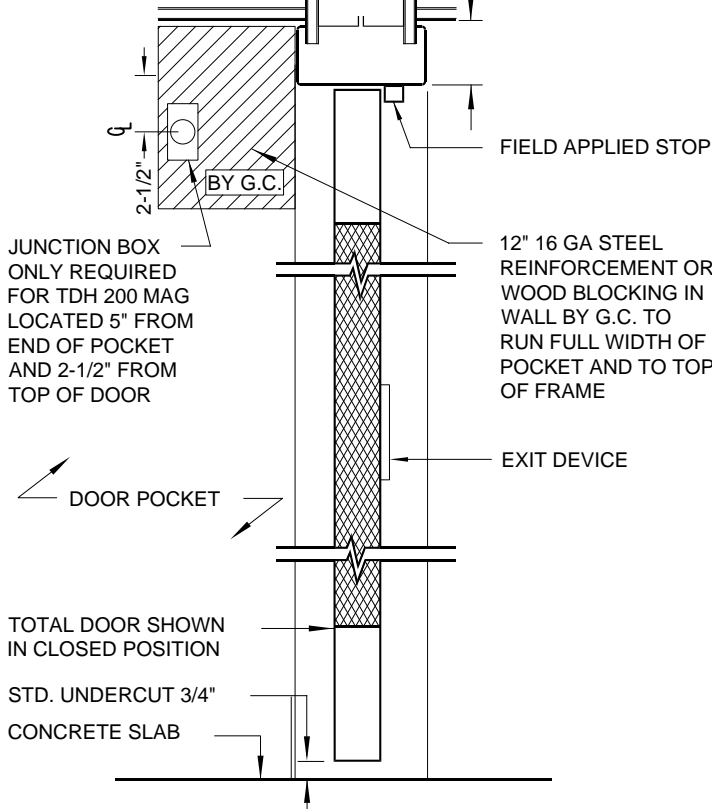
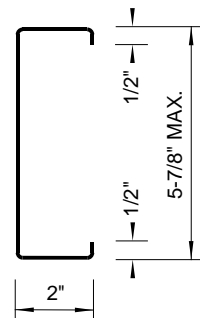


1" MIN. CLEARANCE REQUIRED FROM CEILING OR TOP OF POCKET TO FRAME RABBET (BOTH SIDES OF FRAME)



HEAD PROFILE

NOT TO SCALE



JAMB PROFILE

NOT TO SCALE

1 VERTICAL SECTION

NOT TO SCALE

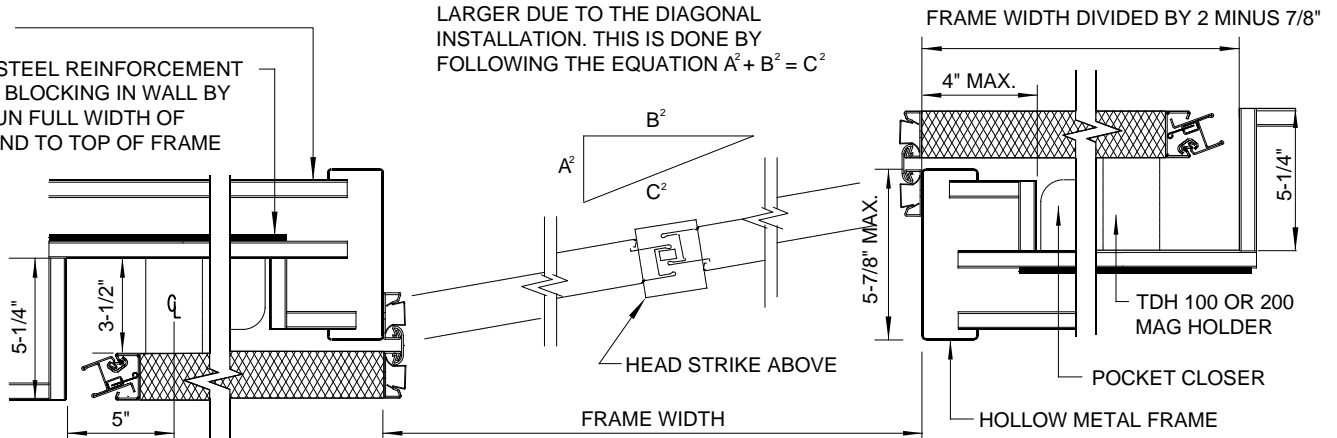
JAMB PROFILE

NOT TO SCALE

NOTE: DOORS MUST BE SIZED SLIGHTLY LARGER DUE TO THE DIAGONAL INSTALLATION. THIS IS DONE BY FOLLOWING THE EQUATION $A^2 + B^2 = C^2$

DRYWALL

12" 16 GA STEEL REINFORCEMENT OR WOOD BLOCKING IN WALL BY G.C. TO RUN FULL WIDTH OF POCKET AND TO TOP OF FRAME



2 PLAN SECTION

NOT TO SCALE