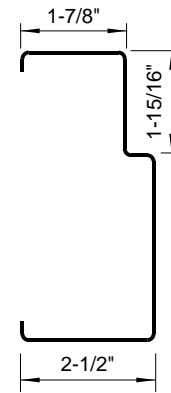


HEAD PROFILE

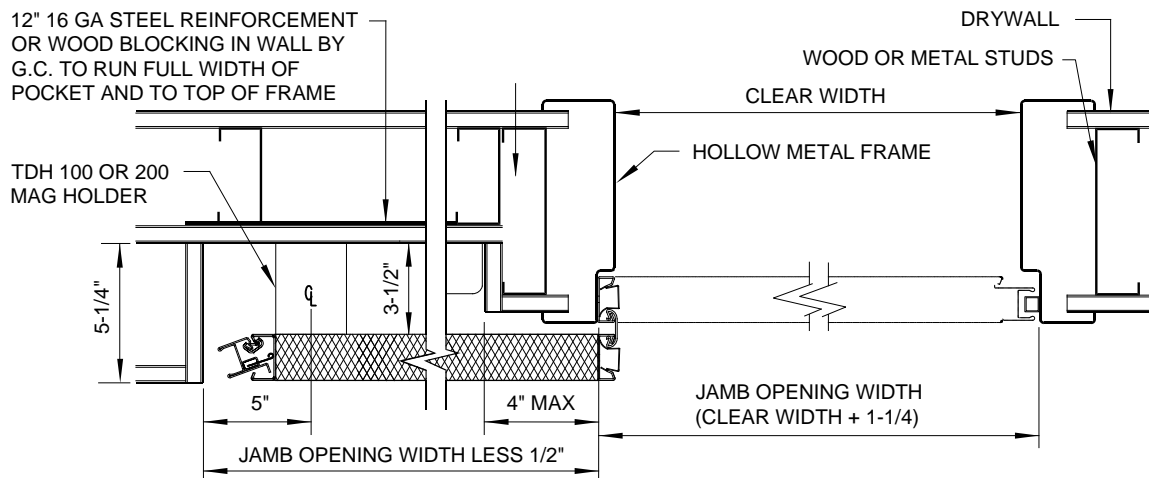


JAMB PROFILE

NOTE: FRAME BY OTHERS

**1** VERTICAL SECTION

NOT TO SCALE



**2** HORIZONTAL SECTION

NOT TO SCALE