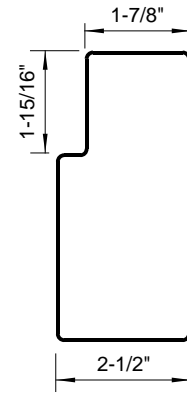


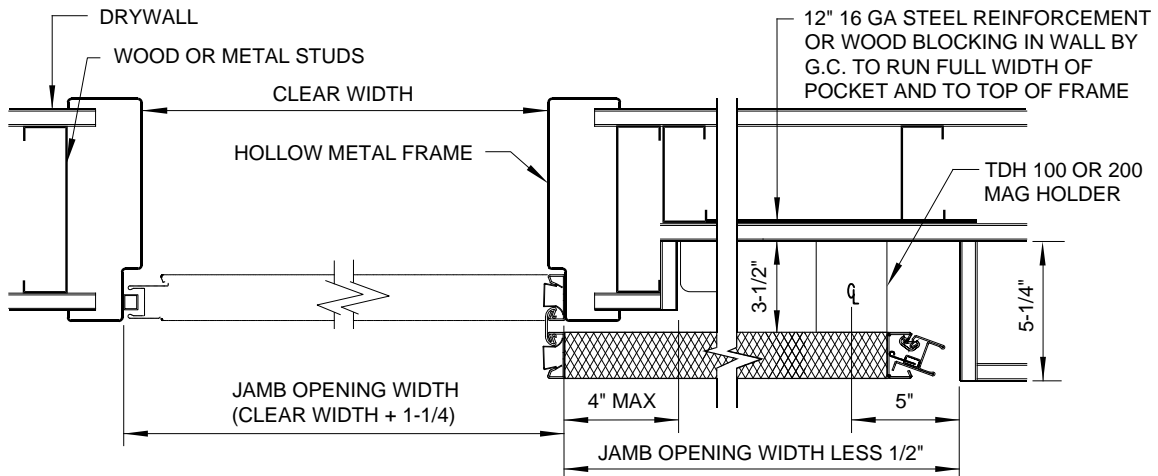
HEAD DETAIL



JAMB PROFILE

NOTE: FRAME BY OTHERS

1 VERTICAL SECTION
NOT TO SCALE



2 HORIZONTAL SECTION
NOT TO SCALE