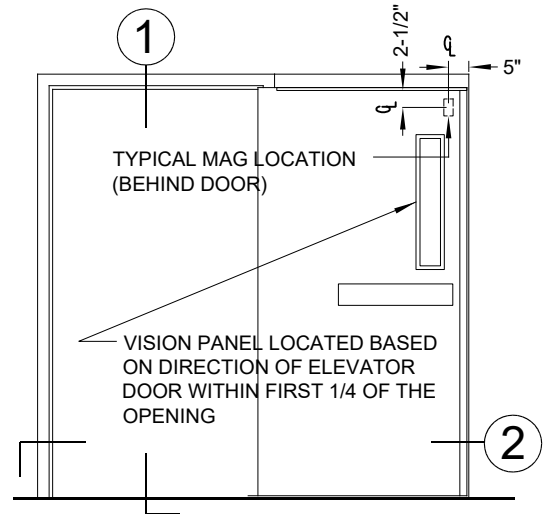


HEAD PROFILE **JAMB PROFILE**

NOTE: SAFEFRAME BY TOTAL DOOR



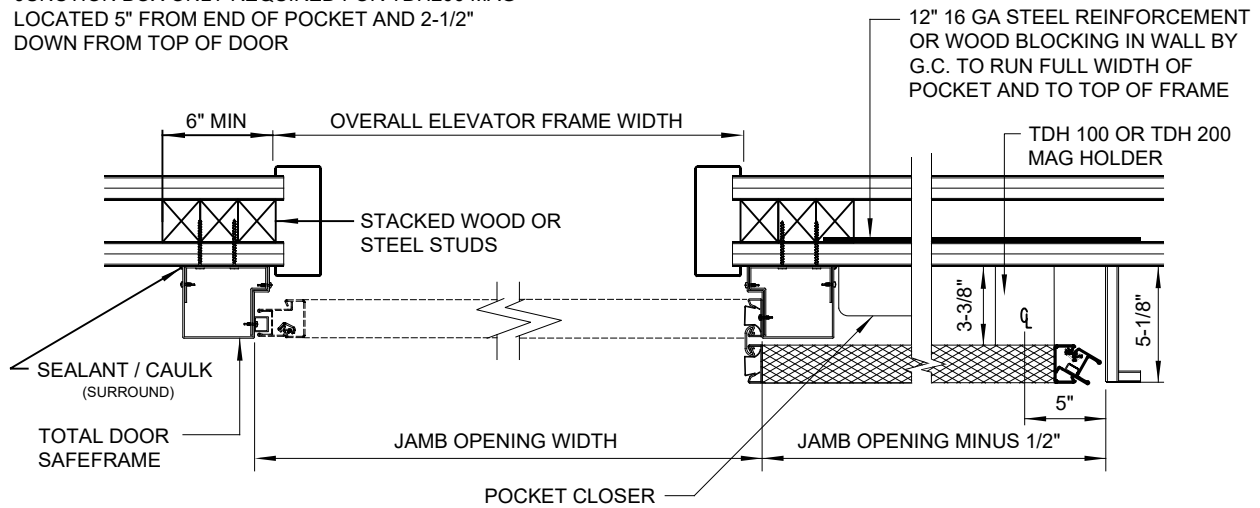
1 **VERTICAL SECTION**

NOT TO SCALE

ELEVATION

NOT TO SCALE

JUNCTION BOX ONLY REQUIRED FOR TDH200 MAG
 LOCATED 5" FROM END OF POCKET AND 2-1/2"
 DOWN FROM TOP OF DOOR



2 **HORIZONTAL SECTION**

NOT TO SCALE

JAMB WIDTH = OVERALL ELEVATOR FRAME WIDTH + 2-1/4"
 JAMB HEIGHT = OVERALL ELEVATOR FRAME HEIGHT + 1-1/8"