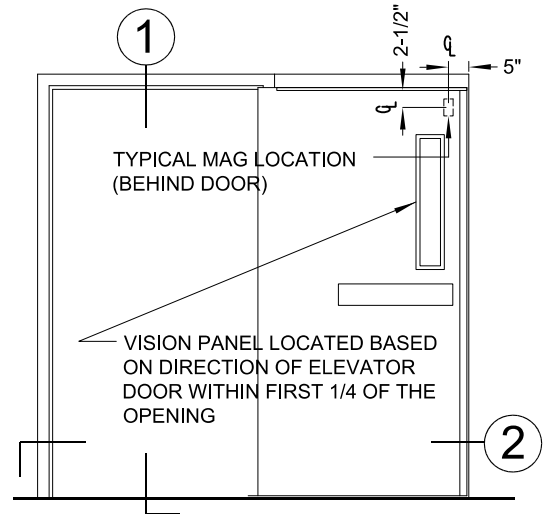


HEAD PROFILE **JAMB PROFILE**

NOTE: SAFEFRAME BY TOTAL DOOR



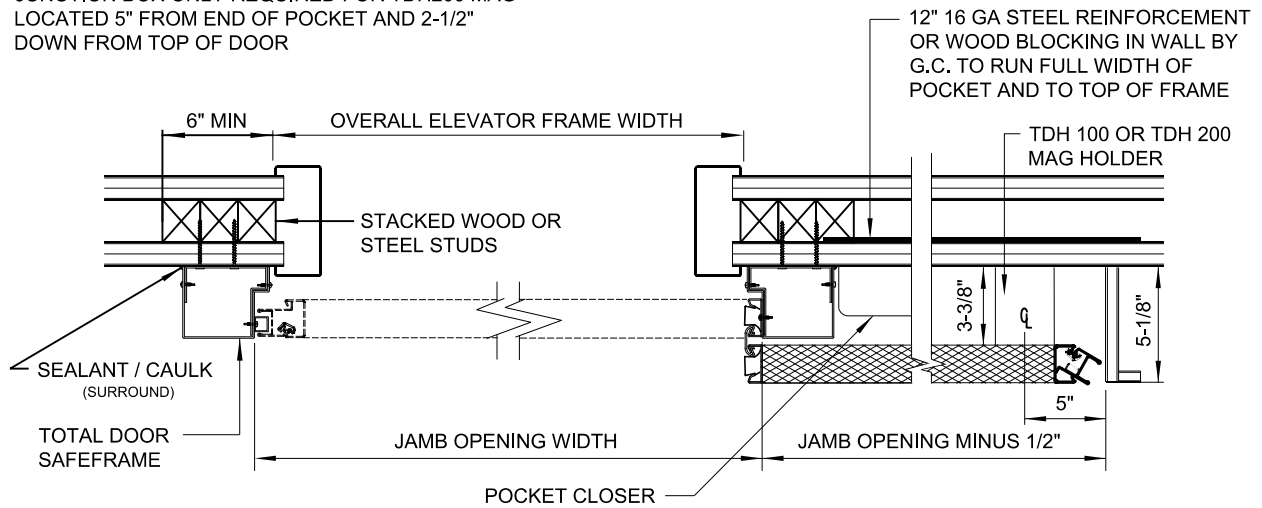
1 **VERTICAL SECTION**

NOT TO SCALE

ELEVATION

NOT TO SCALE

JUNCTION BOX ONLY REQUIRED FOR TDH200 MAG
LOCATED 5" FROM END OF POCKET AND 2-1/2"
DOWN FROM TOP OF DOOR



2 **HORIZONTAL SECTION**

NOT TO SCALE

MAX JAMB WIDTH FOR SINGLE APPLICATION - 4'2-3/16"
MAX JAMB HEIGHT - 8'5-1/8"
JAMB WIDTH = OVERALL ELEVATOR FRAME WIDTH + 2"
JAMB HEIGHT = OVERALL ELEVATOR FRAME HEIGHT + 1"