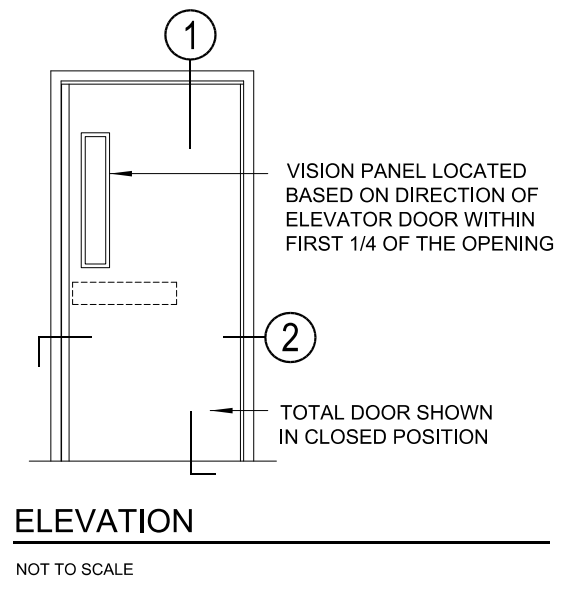
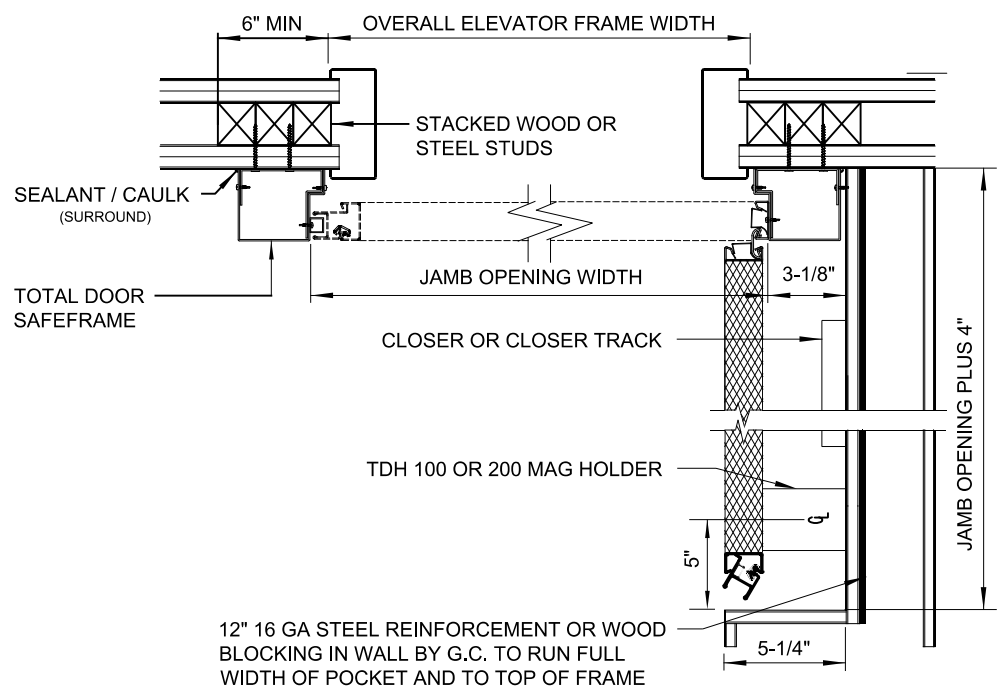


HEAD PROFILE JAMB PROFILE  
NOTE: SAFEFRAME BY TOTAL DOOR

1 VERTICAL SECTION  
NOT TO SCALE



ELEVATION  
NOT TO SCALE



12\"/>

2 HORIZONTAL SECTION  
NOT TO SCALE

MAX JAMB WIDTH FOR SINGLE APPLICATION - 4'2-3/16"  
 MAX JAMB HEIGHT - 8'5-1/8"  
 JAMB WIDTH = OVERALL ELEVATOR FRAME WIDTH + 2"  
 JAMB HEIGHT = OVERALL ELEVATOR FRAME HEIGHT + 1"