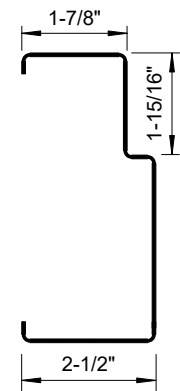


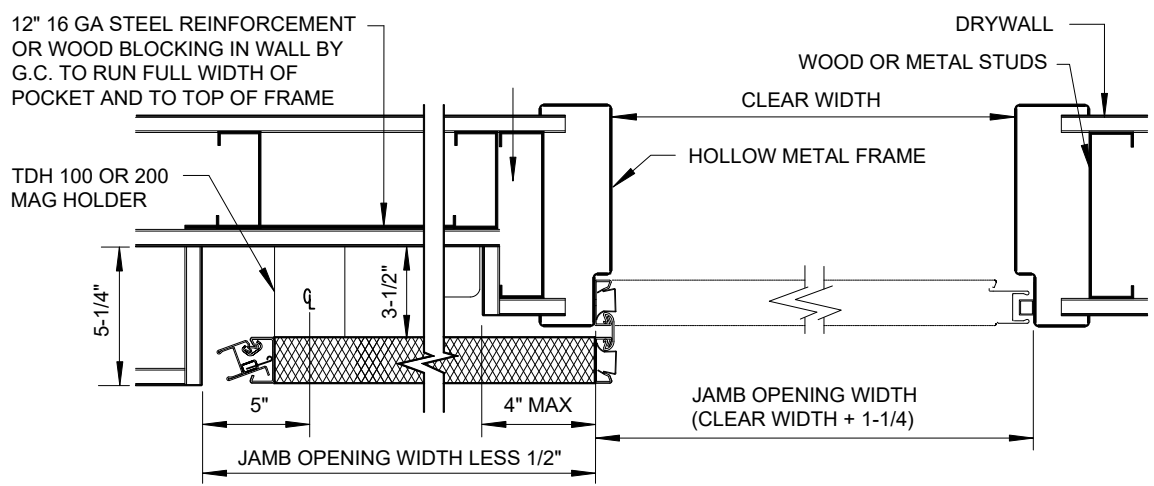
1 VERTICAL SECTION
NOT TO SCALE



HEAD PROFILE



JAMB PROFILE
NOTE: FRAME BY OTHERS



2 HORIZONTAL SECTION
NOT TO SCALE