

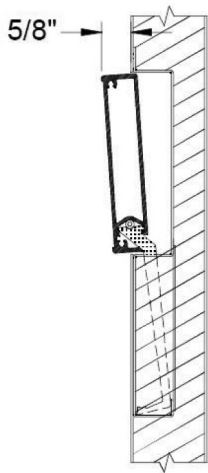
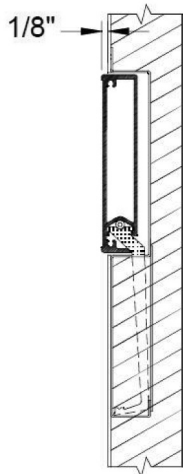
PF 200 Flush Exit Device



Door Closed



Door Open

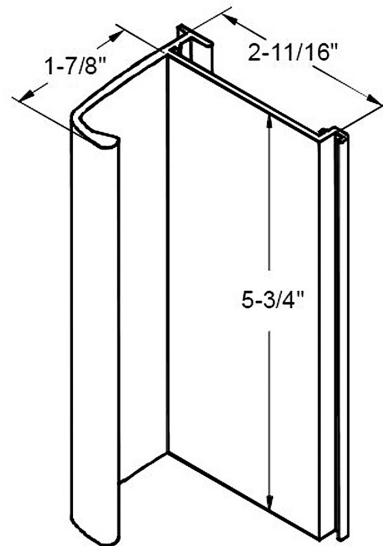


SPECIFICATIONS

Lengths	<ul style="list-style-type: none"> • 24" For width of 2'5" and wider • 14" For width of 1'7" to 2'4-15/16
Height	<ul style="list-style-type: none"> • 4-3/8"
Projection	<ul style="list-style-type: none"> • 5/8" Closed 1/8" Open
Centerline from bottom of door	<ul style="list-style-type: none"> • 39-9/16" • 36-3/4"
Finishes	<ul style="list-style-type: none"> • 628 Satin Anodized Aluminum • 710 Dark Bronze Anodized • Black • Insert to match door body • Architectural metal inserts: 629, 630, 707, 667, 710

Flush Exit Device

- ADA compliant
- Fire rated up to 3 hours
- Available with levers, operating grips or exit only
- Only electrical unlatching function available
- Factory installed as an integral part of the Total Door System



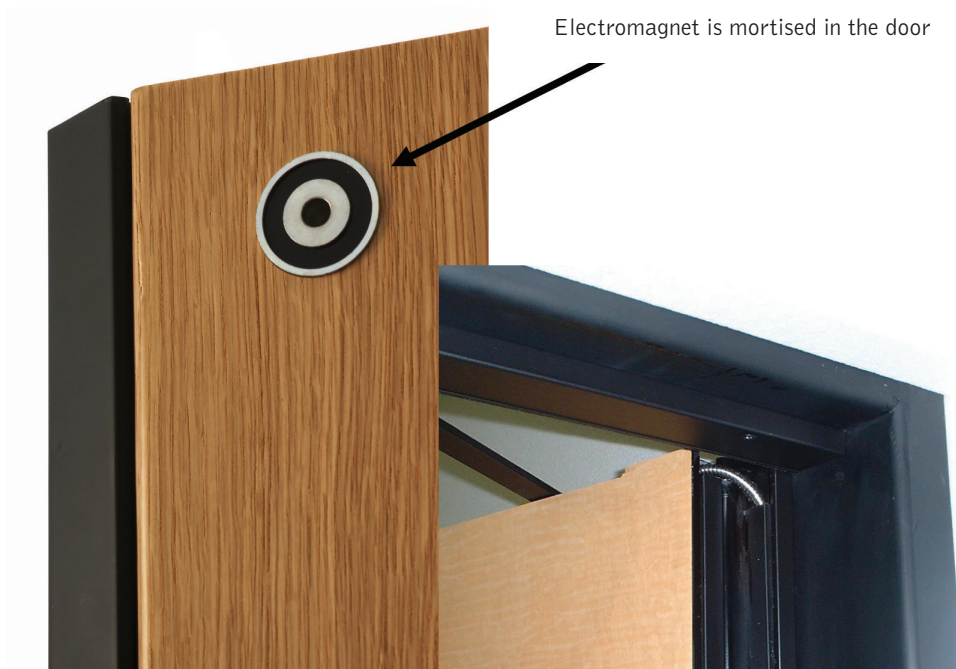
SPECIFICATIONS

Width	• 2-11/16"
Height	• 5-3/4"
Projection	• 1-7/8"
Centerline from bottom of door	• 39-9/16" • 36-3/4"
Finishes	• 628 Satin Anodized Aluminum • 710 Dark Bronze Anodized • 28M Mirror Anodized • Black

Operating Pull/Push Mechanisms and Trim

- ADA compliant
- Fire rated up to 3 hours
- Available in all standard mechanical functions and electrical unlatching function
- No exterior fasteners; trim can't loosen or fall off
- Operate with any standard A/R cam mortise cylinder
- Factory installed as an integral part of the Total Door System

TDH 100 Electromagnetic Holder



Semi-concealed loop runs through hinge and frame

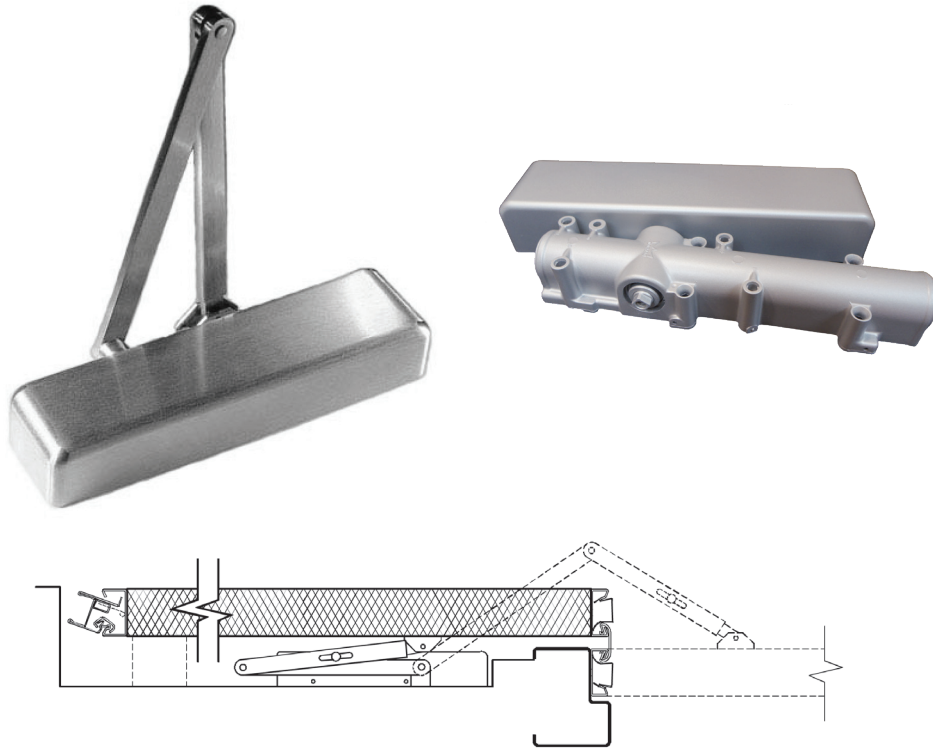
SPECIFICATIONS

Wall Mount Armature Lengths	13/16" to 2-13/16"
Size	1-3/8" Diameter
Projection	1/8" Off door body
Holding Force	40 LBS

Features

- Factory mortised in the door as an integral part of the Total Door System
- Pre-wired to eliminate the outlet box and coordination with the electrician
- 24 Volt DC 0.3 AMP transformer is included

TDC 8907 Pocket Closer



SPECIFICATIONS

Degree of Swing	180°
Minimum Door Size	2'
Adjustability	Latching, Closing & Back Check
Mounting Location	Pocket Wall
Application Type	180° Hold Open Pocket

TDC 8907

- For 180° pocket application
- Universal application
- Standard adjustable back-check function
- Full plastic standard cover
- Aluminum finish
- Meets ANSI A156.26 Grade 1