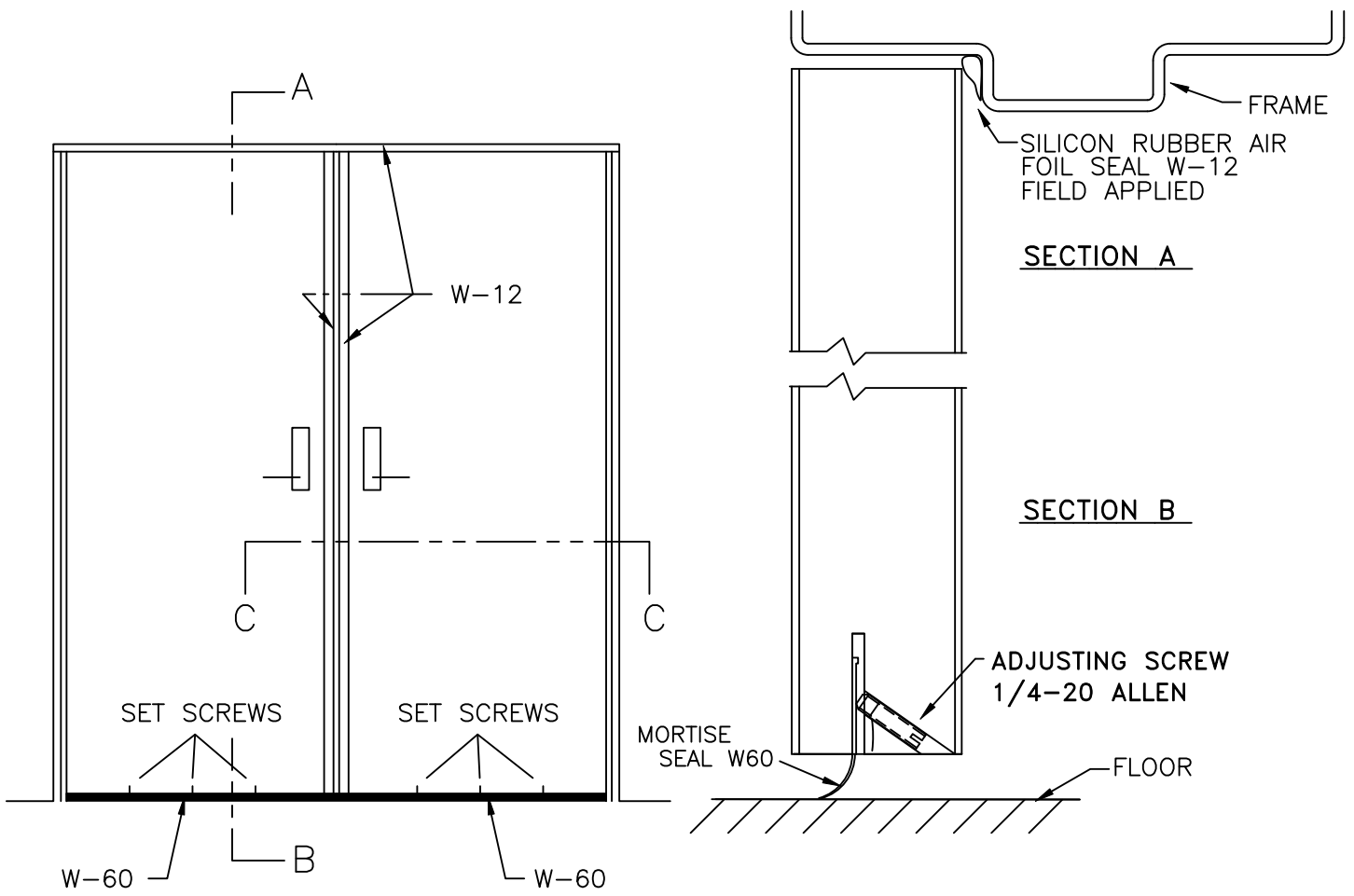
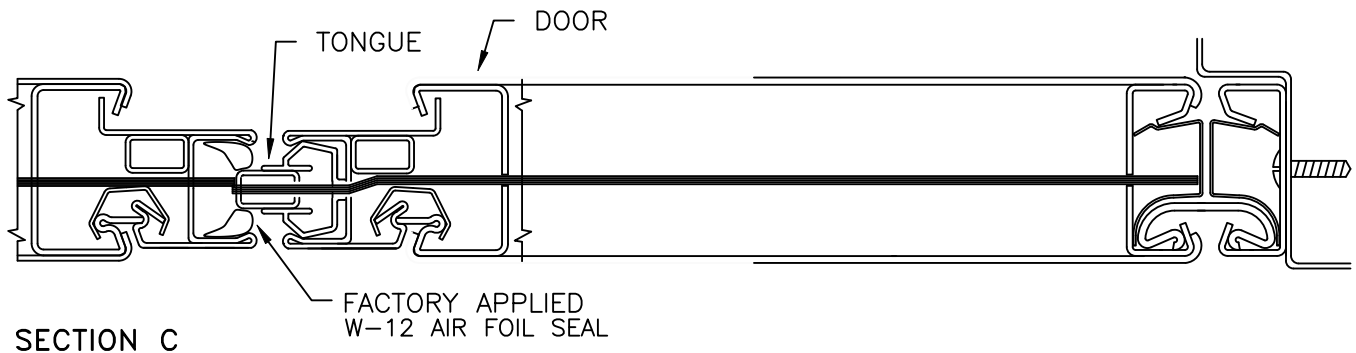


TECHNICAL DATA SHEET # 14A 01

ADJUSTABLE MORTISE SMOKE SEAL



ELEVATION



SECTION C

THE EXTENSION OF THE GASKET MAY BE ADJUSTED BY LOOSENING THE 1/4"-20 ALLEN SET SCREWS AND MANUALLY RAISING OR LOWERING THE DUAL DUROMETER GASKET W-60 TO THE DESIRED HEIGHT AND THEN RETIGHTENING THE SET SCREWS. USE 1/8" ALLEN WRENCH.



Total Door SYSTEMS™
Global Leader in Integrated Access Technology™

TEL. (800) 852-6660
www.totaldoor.com
© Total Door 2019

FILE NAME
TDS14A-01
DATE 6/12/19