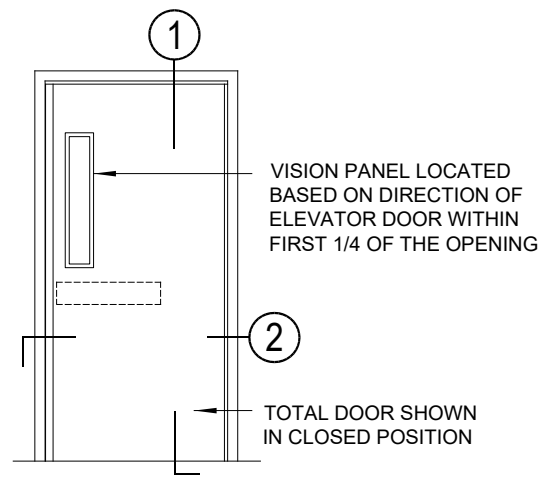
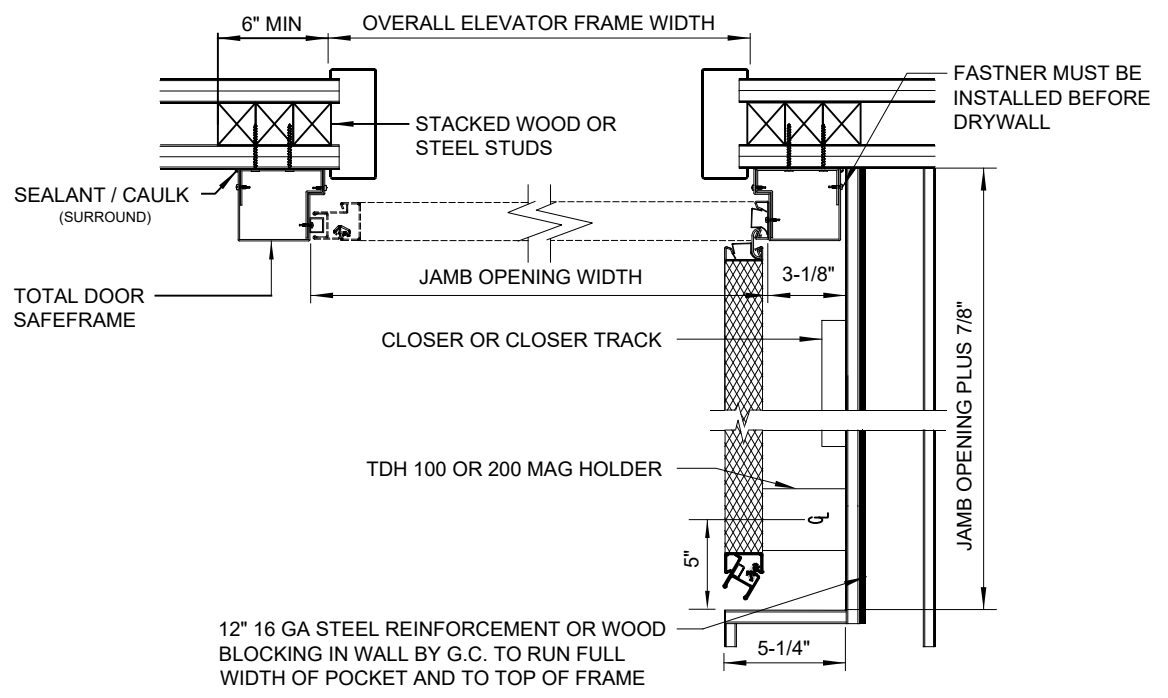


NOTE: SAFEFRAME BY TOTAL DOOR



1 VERTICAL SECTION
NOT TO SCALE

ELEVATION
NOT TO SCALE



2 HORIZONTAL SECTION
NOT TO SCALE

JAMB WIDTH = OVERALL ELEVATOR FRAME WIDTH + 2"
JAMB HEIGHT = OVERALL ELEVATOR FRAME HEIGHT + 1"