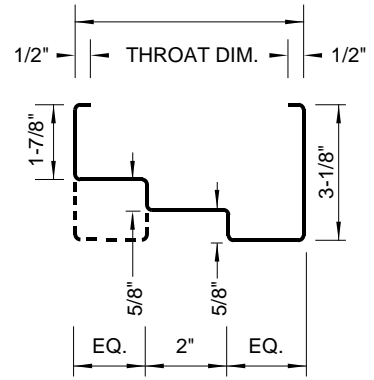
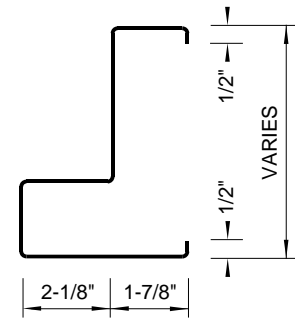


9" MAX FOR TDC96P POCKET CLOSER
IF LARGER THAN 9" USE TDC96 CLOSER



HEAD PROFILE

NOT TO SCALE

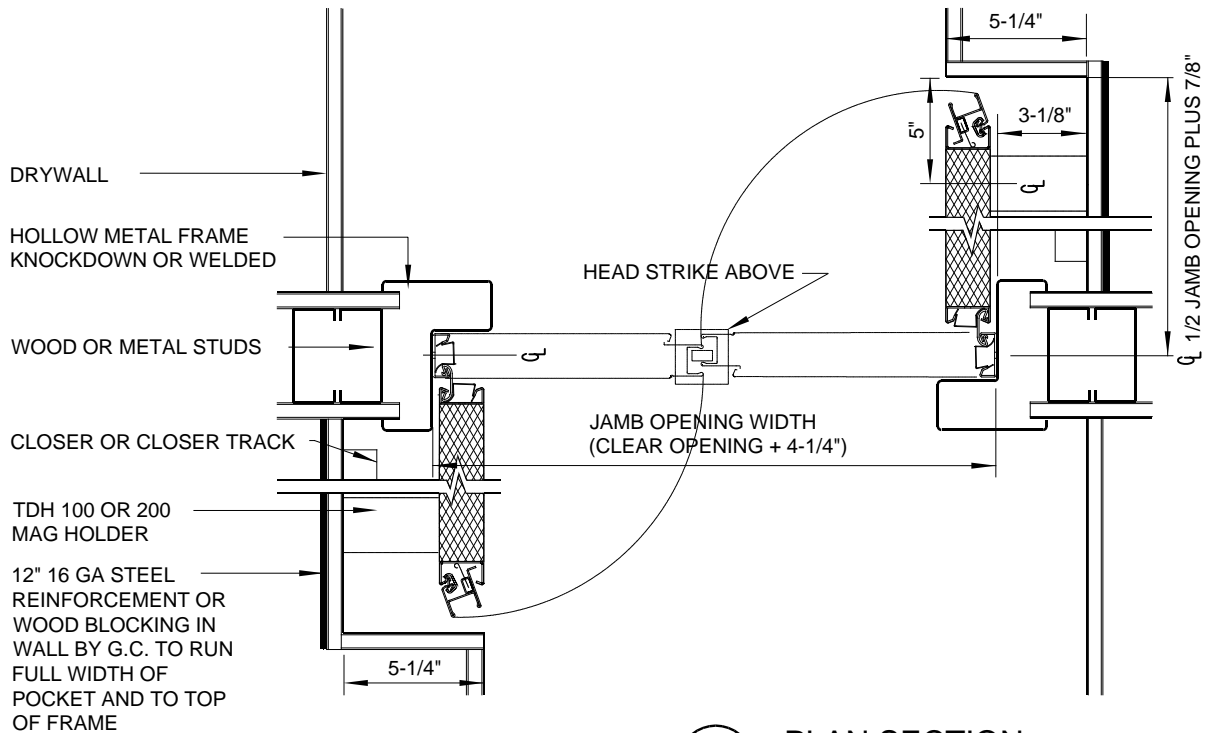


JAMB PROFILE

NOT TO SCALE

1 VERTICAL SECTION

NOT TO SCALE



2 PLAN SECTION

NOT TO SCALE

1" MIN. CLEARANCE REQUIRED FROM CEILING OR TOP OF POCKET TO FRAME RABBET (BOTH SIDES OF FRAME)

12" 16 GA STEEL REINFORCEMENT OR WOOD BLOCKING IN WALL BY G.C. TO RUN FULL WIDTH OF POCKET AND TO TOP OF FRAME

EXIT DEVICE

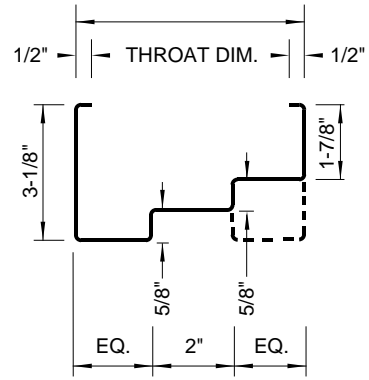
JUNCTION BOX ONLY REQUIRED FOR TDH 200 MAG LOCATED 5" FROM END OF POCKET AND 2-1/2" FROM TOP OF DOOR

DOOR POCKET

TOTAL DOOR SHOWN IN CLOSED POSITION

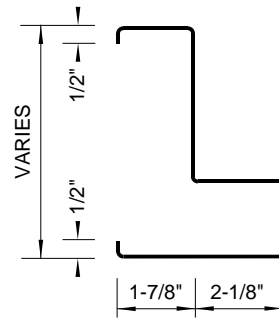
STD. UNDERCUT 3/4" CONCRETE SLAB

9" MAX FOR TDC96P POCKET CLOSER IF LARGER THAN 9" USE TDC96 CLOSER



HEAD PROFILE

NOT TO SCALE

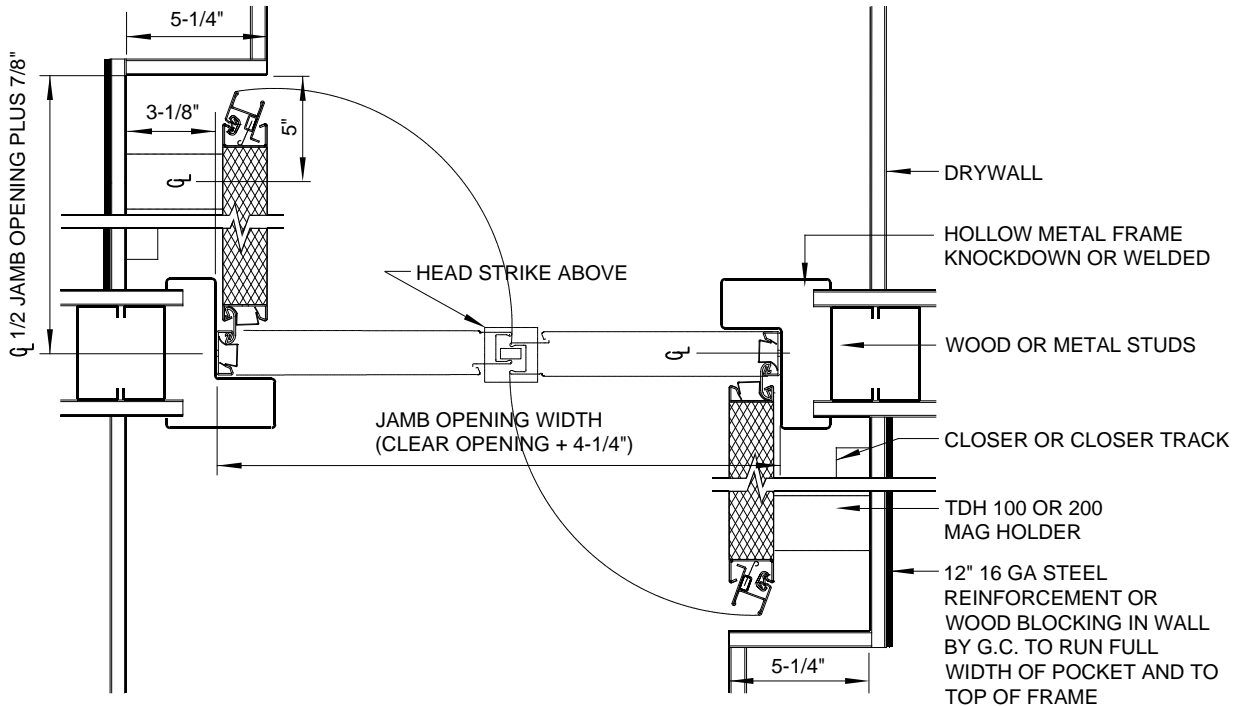


JAMB PROFILE

NOT TO SCALE

1 VERTICAL SECTION

NOT TO SCALE



2 PLAN SECTION

NOT TO SCALE