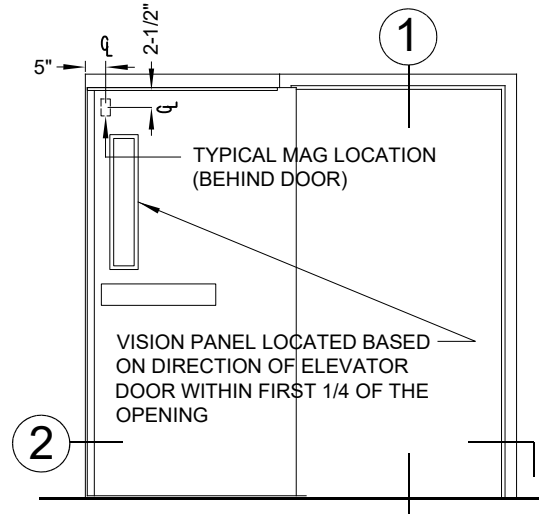


HEAD PROFILE **JAMB PROFILE**

NOTE: SAFEFRAME BY TOTAL DOOR



1 **VERTICAL SECTION**

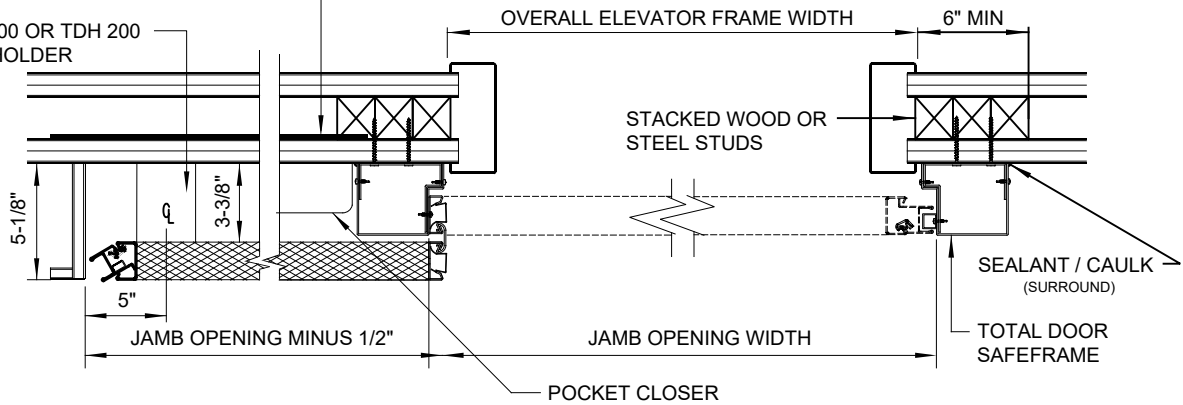
NOT TO SCALE

ELEVATION

NOT TO SCALE

12" 16 GA STEEL REINFORCEMENT OR WOOD BLOCKING IN WALL BY G.C. TO RUN FULL WIDTH OF POCKET AND TO TOP OF FRAME

TDH 100 OR TDH 200 MAG HOLDER



JUNCTION BOX ONLY REQUIRED FOR TDH200 MAG LOCATED 5" FROM END OF POCKET AND 2-1/2" DOWN FROM TOP OF DOOR

2 **HORIZONTAL SECTION**

NOT TO SCALE

JAMB WIDTH = OVERALL ELEVATOR FRAME WIDTH + 2"
 JAMB HEIGHT = OVERALL ELEVATOR FRAME HEIGHT + 1"