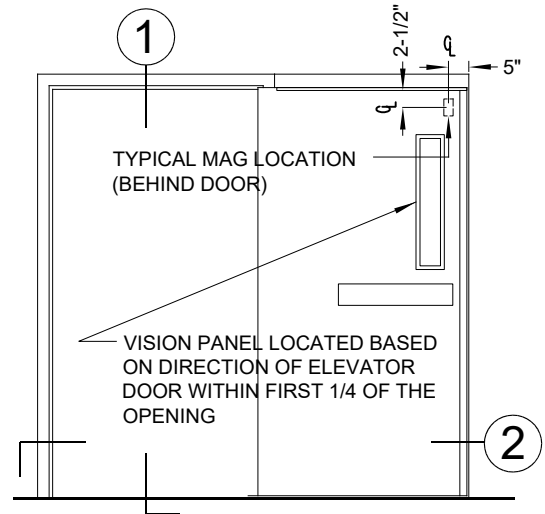


HEAD PROFILE **JAMB PROFILE**

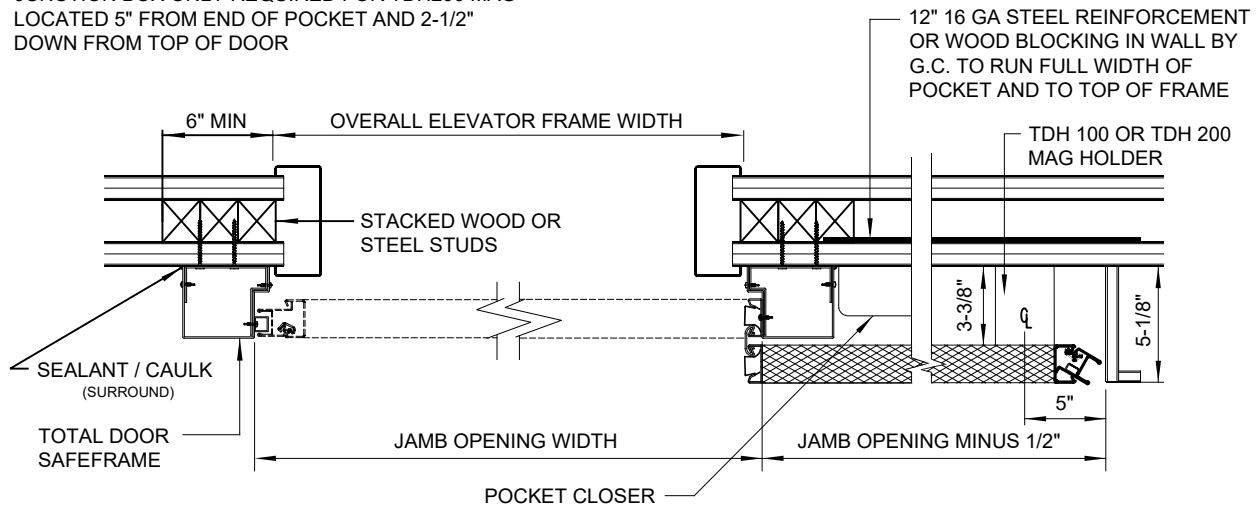
NOTE: SAFEFRAME BY TOTAL DOOR



1 **VERTICAL SECTION**
NOT TO SCALE

ELEVATION
NOT TO SCALE

JUNCTION BOX ONLY REQUIRED FOR TDH200 MAG
LOCATED 5" FROM END OF POCKET AND 2-1/2"
DOWN FROM TOP OF DOOR



2 **HORIZONTAL SECTION**
NOT TO SCALE

JAMB WIDTH = OVERALL ELEVATOR FRAME WIDTH + 2"
JAMB HEIGHT = OVERALL ELEVATOR FRAME HEIGHT + 1"