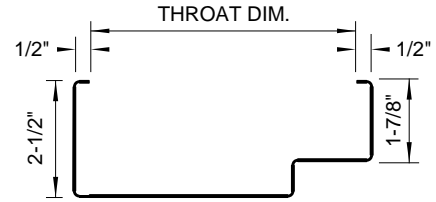
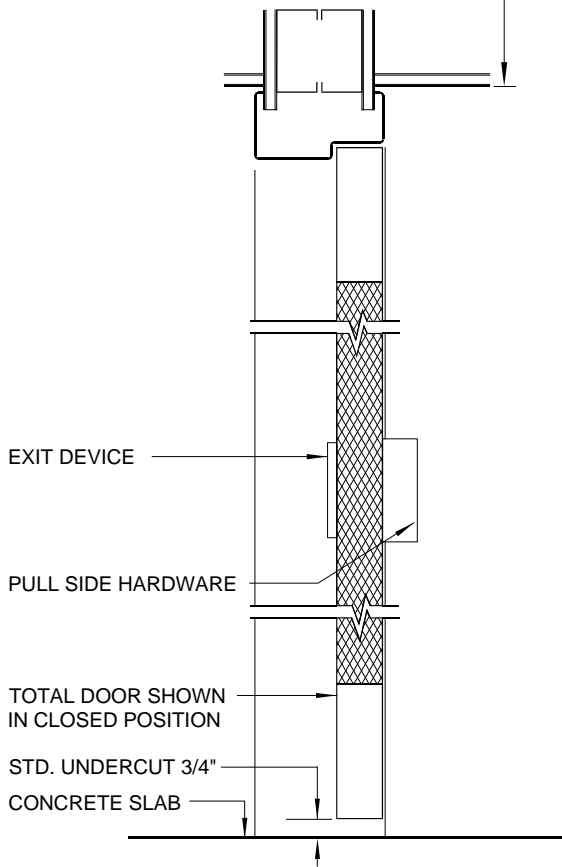
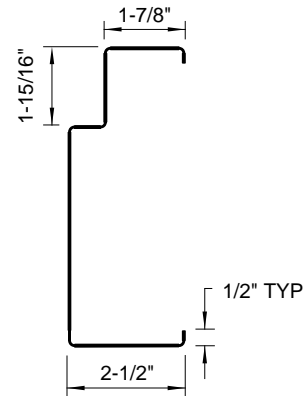


1" MIN. CLEARANCE REQUIRED FROM CEILING  
OR TOP OF POCKET TO FRAME RABBET



### HEAD PROFILE

NOT TO SCALE

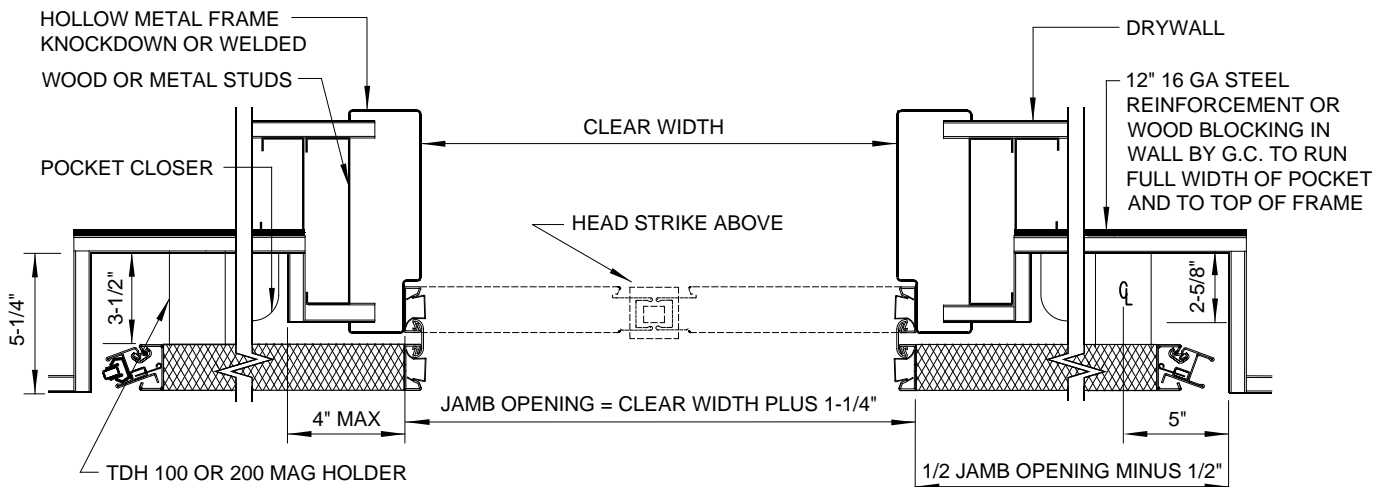


### JAMB PROFILE

NOT TO SCALE

## 1 VERTICAL SECTION

NOT TO SCALE



## 2 PLAN SECTION

NOT TO SCALE