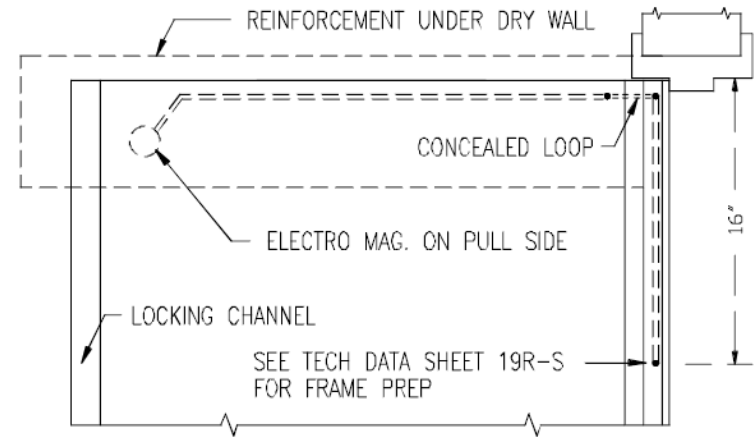


# INSTALLATION INSTRUCTIONS FOR TDH-100 MAG HOLDER

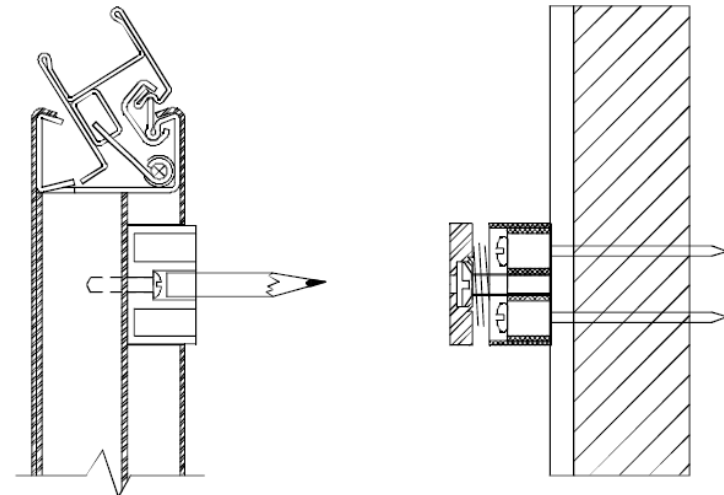
1. Inspect frame for wire prep as noted on Tech Data Sheet #R-S.
2. Remove jamb Hinge Block (H-15) and install Hinge Housing (H-12) and door leaf per installation instructions.
3. Connect the connector plug and insert pig tail (from parts box) through the grommet in the Hinge Housing (H-12). Leave approx. 1" of slack to allow wire to move as door opens/closes. (leave connection below foam cube)
4. Install Hinge Block (H-15) into the Hinge Housing (H-12), concealing the connector plug.



1. Insert short pencil in Mag as show, swing door open slowly until wall is marked. Remove head plate and spring from armature. Install armature with the three screws provided. Once mounted put spring and head plate back on. (Backing must be provided in wall for armature as shown)

If installing type #1 armature, install with screw attached to head plate. Make sure that spring & washer are installed before securing.

2. With the door & Mag installation complete, the door should swing freely and Mag should align and seat.
3. If the Total Door transformer (110V in/24V-DC out, 750ma) is going to be used, it can be installed as supplied. One transformer for 2 leaves. If the Total Door transformer is not used, the Mag should be wired, by others, directly to the 24V-DC alarm panel.



**Total Door** SYSTEMS™  
Global Leader in Integrated Access Technology™

6145 DELFIELD DRIVE  
WATERFORD, MI 48329  
TEL (248) 623-6899

TDH-100 Install  
DATE: 1/27/2023