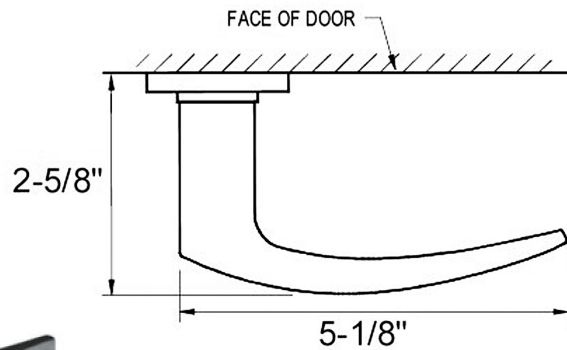


Lever 84



SPECIFICATIONS

Lengths	• 5-1/8"
Height	• 11/16"
Projection	• 2-5/8"
Centerline from bottom of door	• 39-9/16" • 36-3/4"
Finishes	• 605 Bright Brass • 606 Satin Brass • 629 Bright Stainless Steel • 630 Satin Stainless Steel • 710 Dark Bronze • Black
Dogging Options	• Electric – E-UNL

Lever Mechanisms

- ADA compliant
- Fire rated to 3 hours
- Operate with any standard B/C4 cam mortise cylinder
- Available in all functions and electric functions