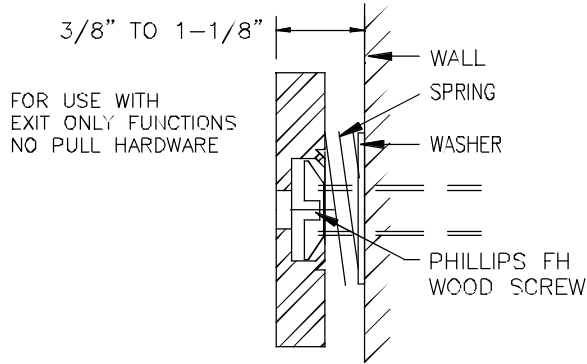


TECHNICAL DATA SHEET # 19T-U

ARMATURE TYPES FOR ELECTROMAGNETS

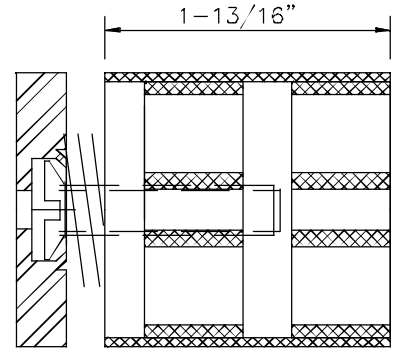
TYPE 1

FOR POCKET DEPTH OF 2-3/8 TO 3-1/16



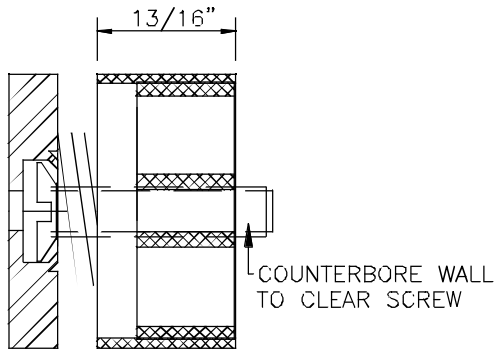
TYPE 4

FOR POCKET DEPTH OF 4-1/8 TO 4-9/16



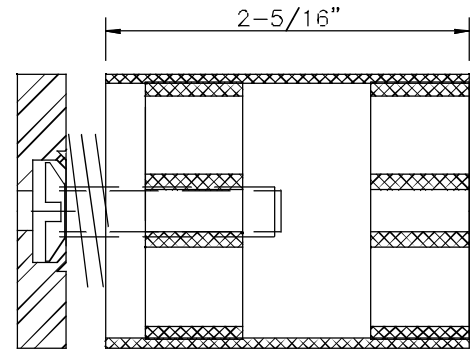
TYPE 2

FOR POCKET DEPTH OF 3-1/8 TO 3-9/16



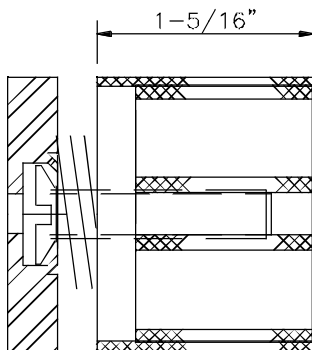
TYPE 5

FOR POCKET DEPTH OF 4-5/8 TO 5-1/16



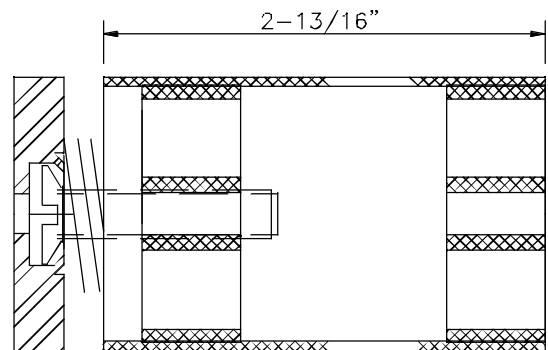
TYPE 3

FOR POCKET DEPTH OF 3-5/8 TO 4-1/16



TYPE 6

FOR POCKET DEPTH OF 5-1/8 TO 5-9/16



Total Door SYSTEMS™
Global Leader in Integrated Access Technology™

TEL. (800) 852-6660

www.totaldoor.com

© Total Door 2018

FILE NAME

TDS19T-U

DATE 6/27/18