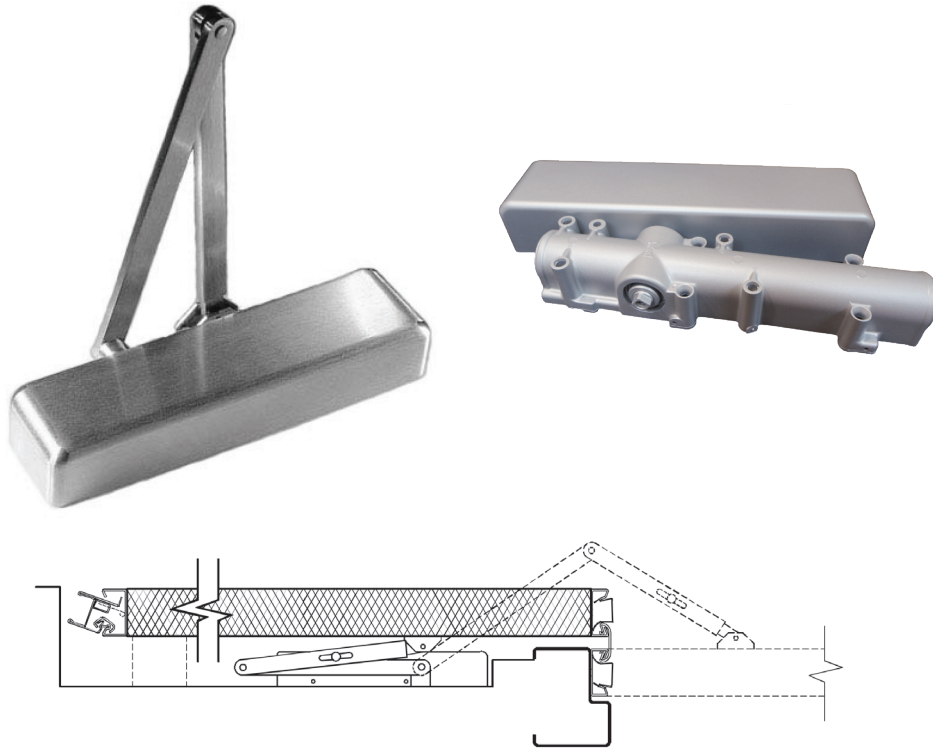


TDC 8907 Pocket Closer



SPECIFICATIONS

Degree of Swing	180°
Minimum Door Size	2'
Adjustability	Latching, Closing & Back Check
Mounting Location	Pocket Wall
Application Type	180° Hold Open Pocket

TDC 8907

- For 180° pocket application
- Universal application
- Standard adjustable back-check function
- Full plastic standard cover
- Aluminum finish
- Meets ANSI A156.26 Grade 1