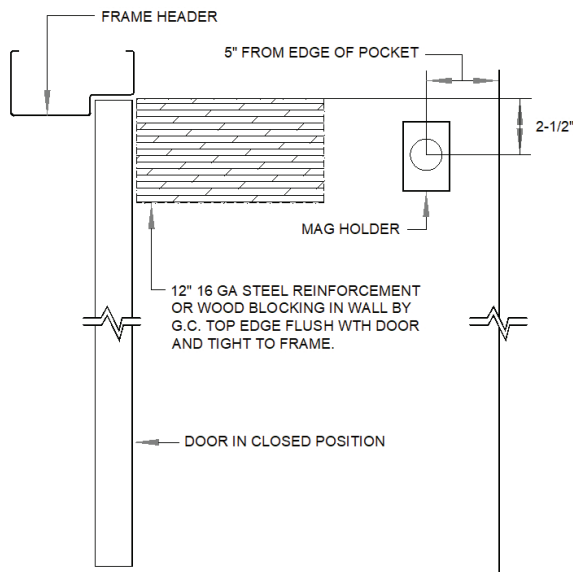
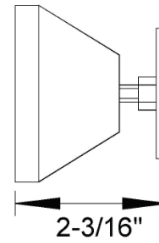
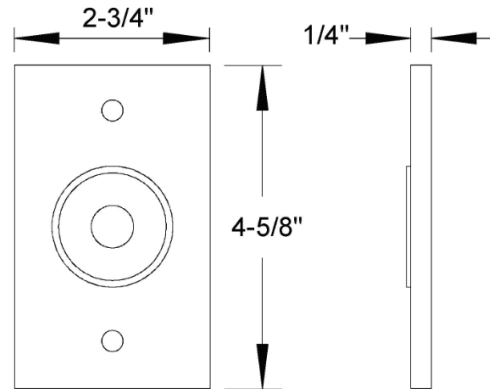


TDH 200 Electromagnetic Holder



Features

- 35 lb holding force
- Dual voltage (24/120V) capability
- Optional extension rods available for deeper door to wall conditions
- Powder coated silver