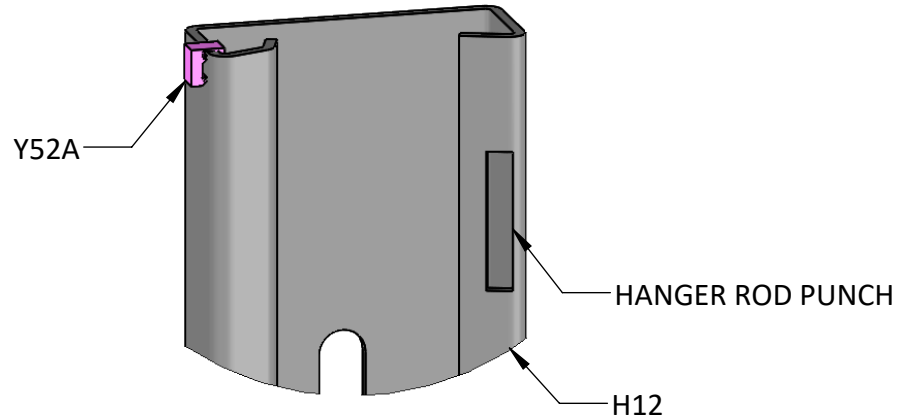


Y52A INSTALLATION INSTRUCTIONS

THE Y52A IS A SPACER THAT IS INSTALLED ON THE H12 TO ENSURE A MINIMUM SPACING FROM THE HEAD STOP.

1. INSTALL Y52A HINGE STOP SPACER ON THE H12, OPPOSITE THE HANGER ROD PUNCH. PUSH THE Y52A ALL THE WAY DOWN.



2. MOVE THE H12 INTO POSITION. USE THE SPACER AS A GUIDE BETWEEN THE HEAD STOP OF THE FRAME AND THE H12. USING THE THICKNESS OF THE INSTALLATION KEY, POSITION THE HINGE HOUSING TO THE HEAD OF THE FRAME. INSTALL THE H12 HINGE HOUSING AS INSTRUCTED.

